

SIDEWINDER II

HONORABLE MENTION MARCH 1978
 DESIGN OF THE MONTH CONTEST
 BY LE CONG DANH Norcross, GA

SKILL LEVEL 3

PARTS LIST

A	1	Nose Cone (type PNC-55A0)	71075
B	1	Body Tube (type BT-55)	3074
C	1	Stage Coupler (type JT-55C)	3053
D	1	Parachute (type PK-18)	2267
E	1	Shock Cord 1/8" wide	2276
F	1	Screw Eye - 3/4" long	2283
G	2	Engine Mount (type EH-2055)	3151
H	1	Fin Stock (type BFS-30)	32108
I	1	Fin Stock (type BFS-30L)	32110
J	1	Launch Lug	2321

ADDITIONAL MATERIALS

Hobby knife, white glue, plastic glue, sanding sealer, sandpaper, ruler, and spray paint.

RECOMMENDED ENGINES

TOP STAGE

1/2A6-4 A8-5 (First Flight)

B4-6 B6-6 C6-7

LOWER STAGE

A8-0 (First flight) B6-0

C6-0

15-1/4"

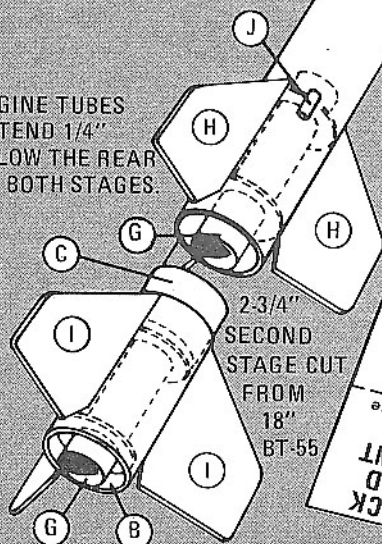
FIRST STAGE

CUT FROM

18" BT-55

1/2"
 LAUNCH
 LUGS
 PLACED
 1-1/8" FROM
 TOP AND
 2-7/8" FROM
 END OF BT-55

ENGINE TUBES
 EXTEND 1/4"
 BELOW THE REAR
 OF BOTH STAGES.



2-3/4"
 SECOND
 STAGE CUT
 FROM
 18"
 BT-55

