

# Blue Angel



SKILL LEVEL 4 - Recommended for Advanced Rocketeers.

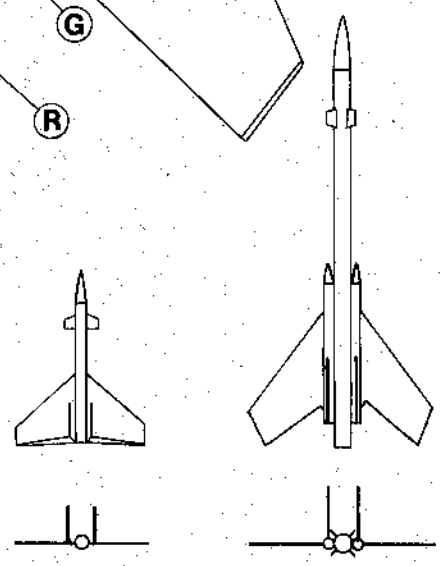
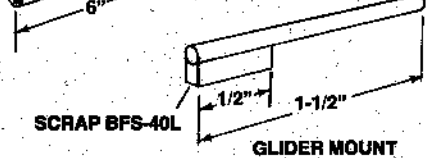
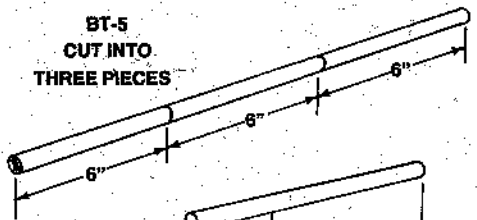
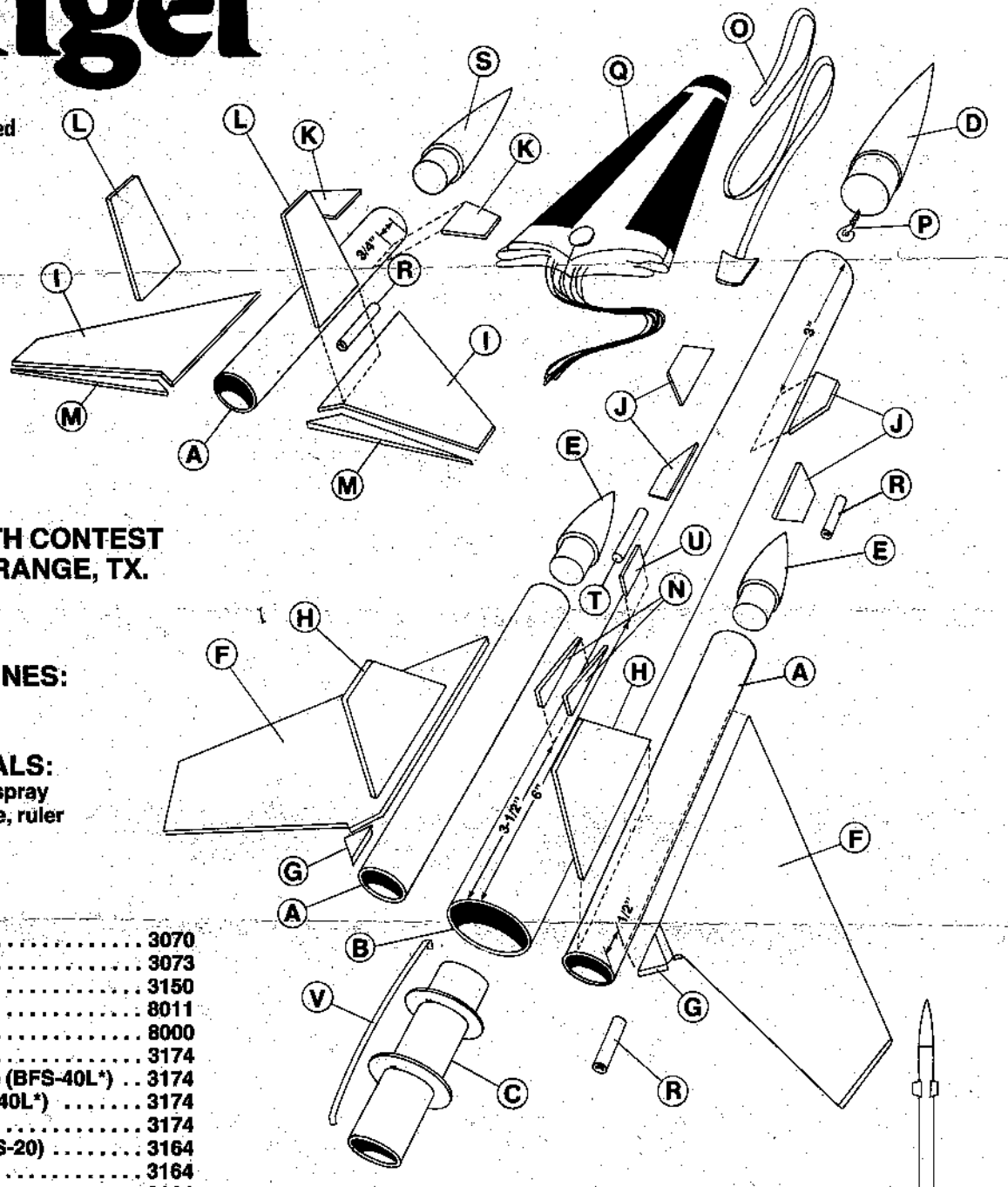
Winner May 1977  
 DESIGN OF THE MONTH CONTEST  
 BY JAMES HARRIS, ORANGE, TX.

RECOMMENDED ENGINES:  
 B4-2, B6-4, B8-5, C6-5

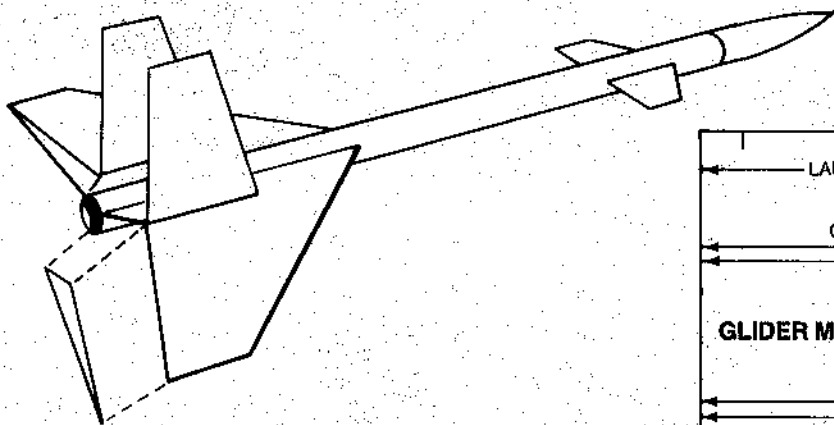
ADDITIONAL MATERIALS:  
 White glue, sanding sealer, spray paint, sandpaper, hobby knife, ruler and sharp pencil.

## PARTS LIST

A	1	Body Tube (BT-5)	3070
B	1	Body Tube (BT-5)	3073
C	1	Engine Mount (EH-2050)	3150
D	1	Nose Cone (BNC-50Y)	8011
E	2	Nose Cone (BNC-5E)	8000
F	2	Main Wing (BFS-40L*)	3174
G	2	Main Wing Trailing Edge (BFS-40L*)	3174
H	2	Main Ship Rudder (BFS-40L*)	3174
I	2	Glider Wing (BFS-40L*)	3174
J	4	Main Ship Front Fin (BFS-20)	3164
K	2	Glider Canard (BFS-20)	3164
L	2	Glider Fin (BFS-20)	3164
M	2	Glider Elevon (BFS-20)	3164
N	2	Glider Support (BFS-20)	3164
O	1	Shock Cord (1/8" x 36")	85744
P	1	Screw Eye (Small)	2279
Q	1	18" Parachute (PK-18)	2267
R	2	Launch Lugs	2321
S	1	Nose Cone (BNC-5W)	8003
T	1	1/8" Dowel	32056
U	1	Stand-Off (BFS-40L*)	3174
V	1	Engine Holder	3140



\* 2 sheets required.

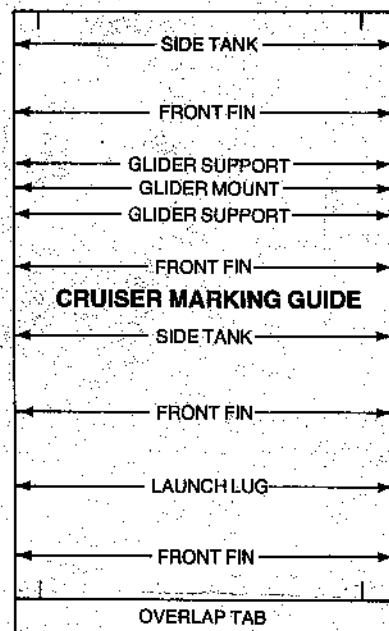
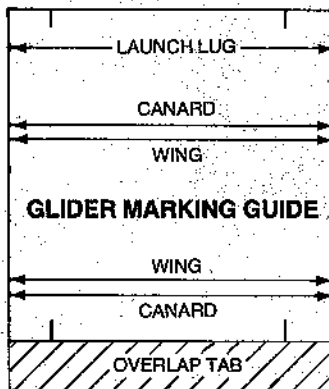


**GLIDER CONSTRUCTION NOTES**

Glue elevons onto back of wings as shown with a very fine line of glue. The top of the elevons should be flush with the top of the wings.

**GLIDE TESTING**

After the glue is almost set take the model and gently toss it into the wind. If it stalls, lower the elevons slightly and test it again. If the glider banks or rolls to one side, either lower that elevon or raise the elevon on the other side. The model should bank slightly so it will turn in a circle and remain in the launching area.



**PATTERNS ARE FULL SIZE**

**SHOCK CORD MOUNT**

