



DASHER™

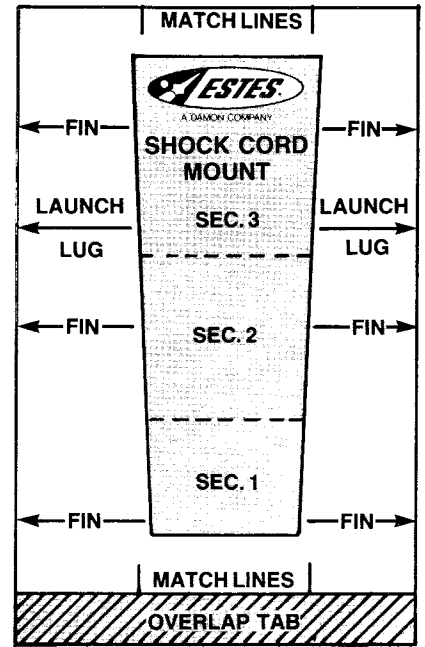
#1992

ESTES INDUSTRIES
1295 H STREET
PENROSE, CO 81240 USA



ASSEMBLY TIP

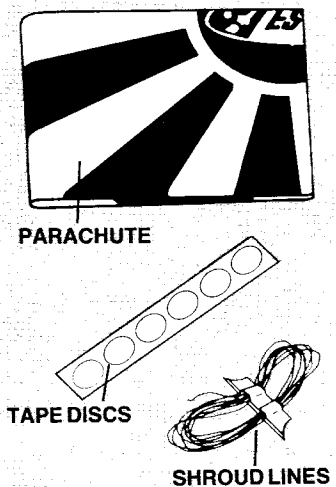
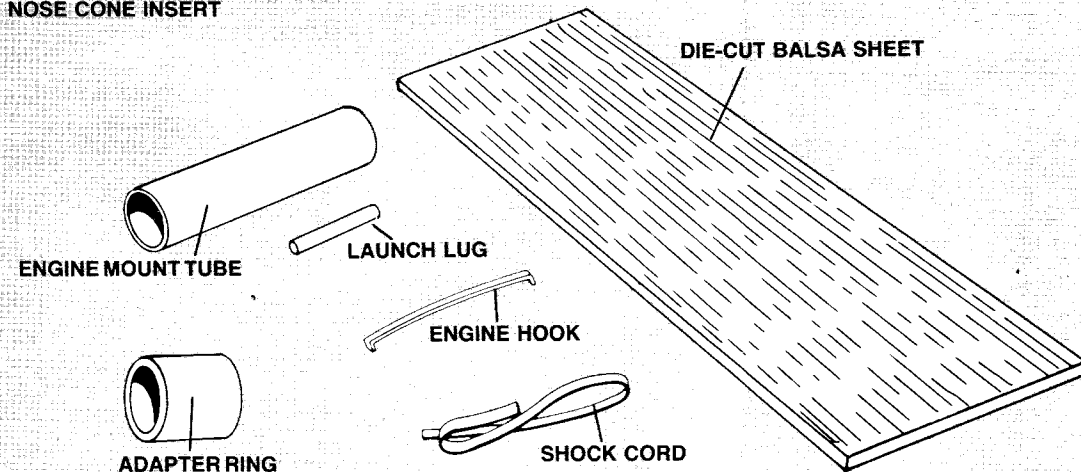
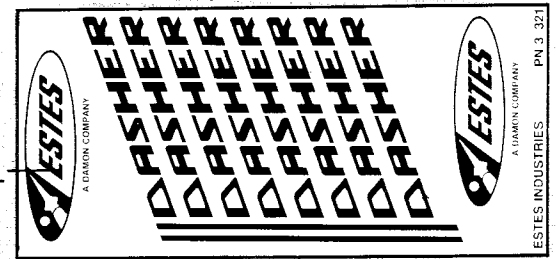
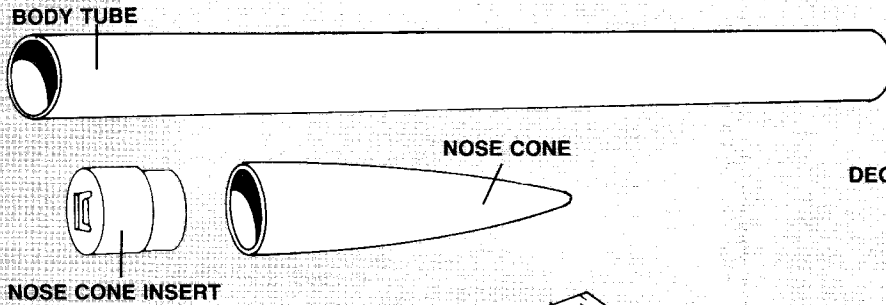
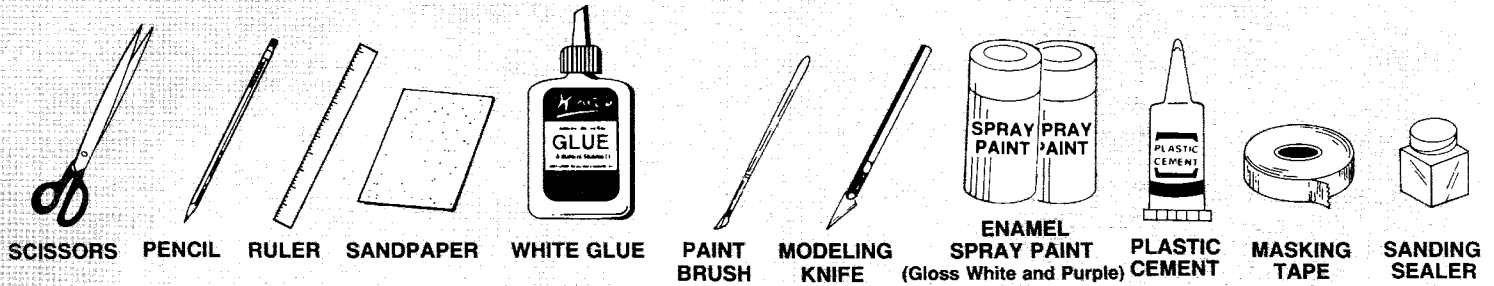
Read all instructions before beginning work on your model. Make sure you have all parts and supplies. Test fit all parts together before applying any glue. If any parts don't fit properly, sand as required for precision assembly.



TUBE MARKING GUIDE

PARTS AND SUPPLIES

Locate the parts shown below and lay them out on the table in front of you. In addition to the parts included in the kit you will also need:

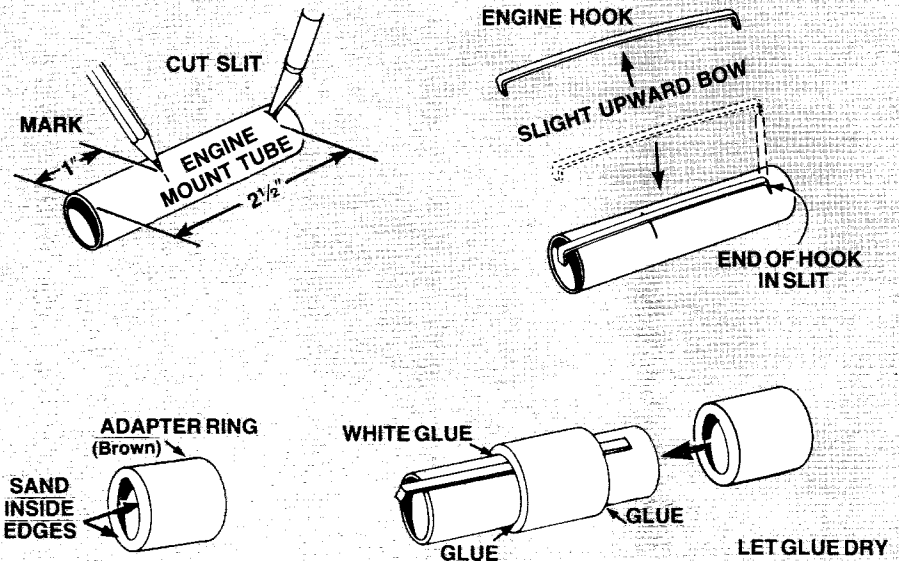


ESTES INDUSTRIES PN 3 321

ROCKET ASSEMBLY

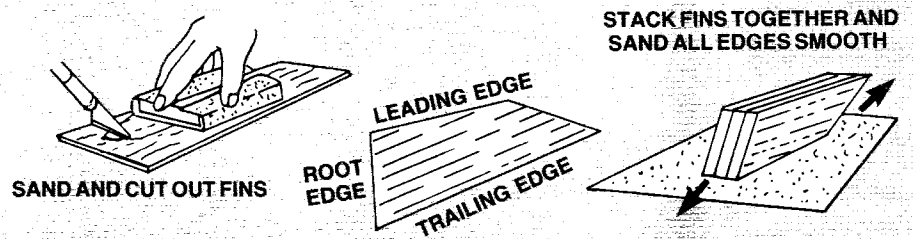
1

- Mark engine mount tube 1 inch and 2½ inches from one end and then cut 1/8 inch long slit at 2½ inch mark.
- Insert one end of engine hook into slit.
- Sand inside edges of adapter ring.
- Slide adapter ring onto tube as shown to the 1 inch mark and then glue both ends of ring to tube.



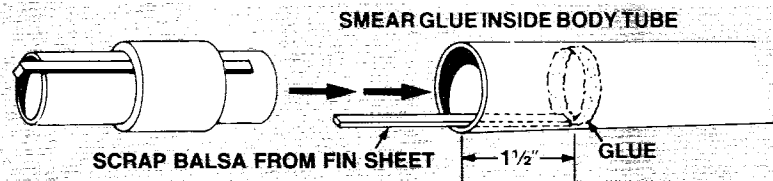
2

- Fine sand balsa die-cut sheet. Carefully remove fins by freeing edges with sharp knife.
- Stack fins together. Sand all edges smooth.



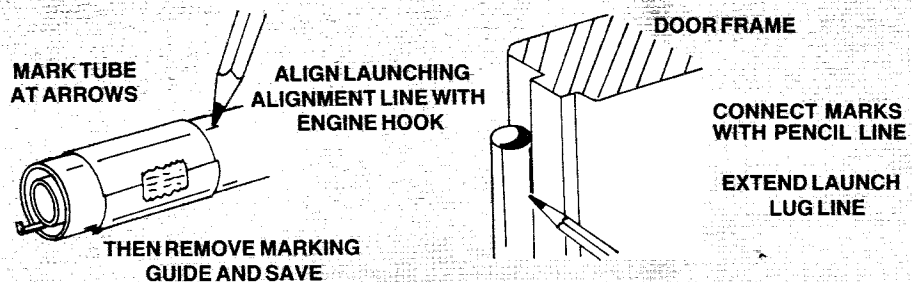
3

- Using a piece of scrap balsa, smear glue inside body tube 1½ inches from one end.
- Push engine mount in until tube ends are even.



4

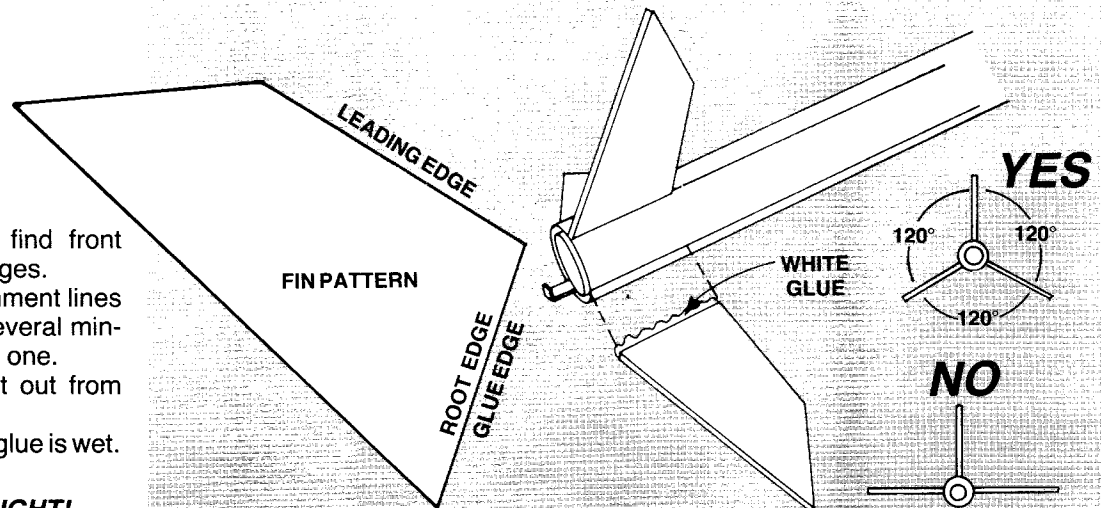
- Cut out tube marking guide from front of instructions.
- Wrap guide around the tube and tape. Mark tube at arrows. Remove guide and save.
- Draw straight lines connecting each pair of marks.
- Extend launch lug line full length of tube.



5

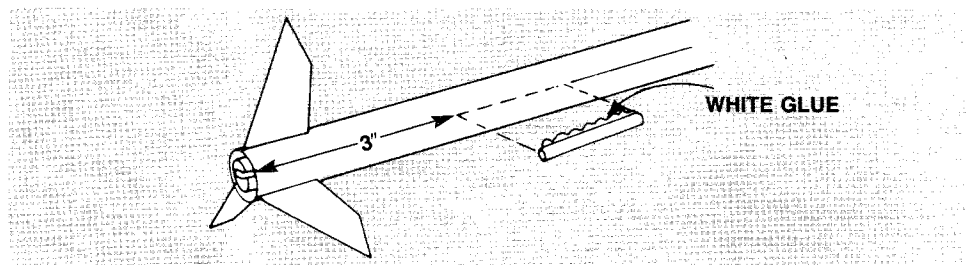
- Compare fins to pattern to find front (leading) and gluing (root) edges.
- Position and glue fins on alignment lines one at a time. Let each dry several minutes before applying the next one.
- Adjust fins to project straight out from tube.
- Do not set rocket on fins while glue is wet.

FINS MUST BE ATTACHED CORRECTLY FOR STABLE FLIGHT!



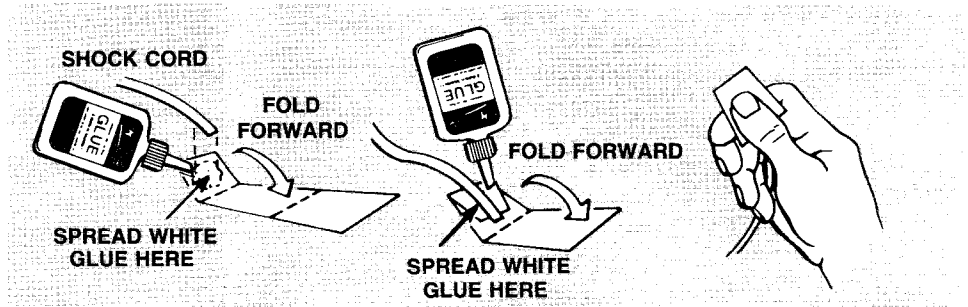
6

Glue launch lug straight on launch lug line with its rear edge 3 inches from rear of tube.



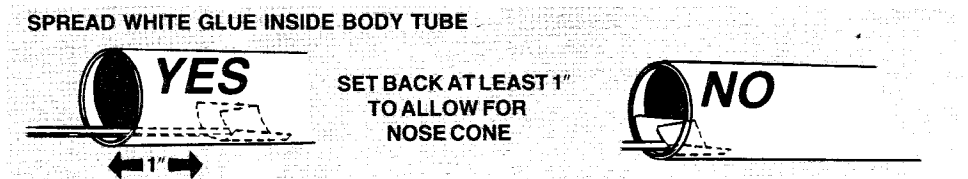
7

- Cut shock cord mount from tube marking guide.
- Crease on dotted lines by folding. Spread glue on section 1 and lay end of shock cord into glue. Fold over and apply glue to back of first section and exposed part of section 2. Lay shock cord as shown and fold mount over again.
- Clamp unit together with fingers until glue sets.



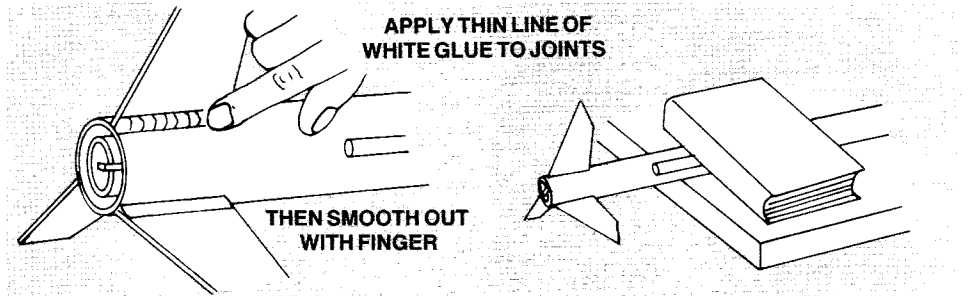
8

- Apply glue to inside of front of body tube to cover an area no less than 1 inch to 2 inches from end. The glued area should be same size as shock cord mount.
- Press mount firmly into glue as shown.
- Hold until glue sets.



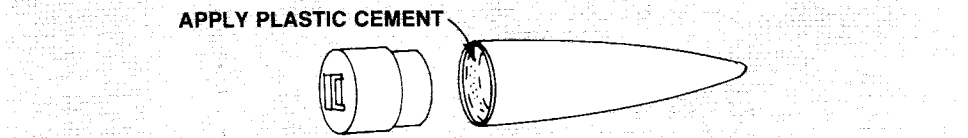
9

- Apply a glue reinforcement to each fin/body tube joint and each side of launch lug.
- Support rocket as shown until glue dries.



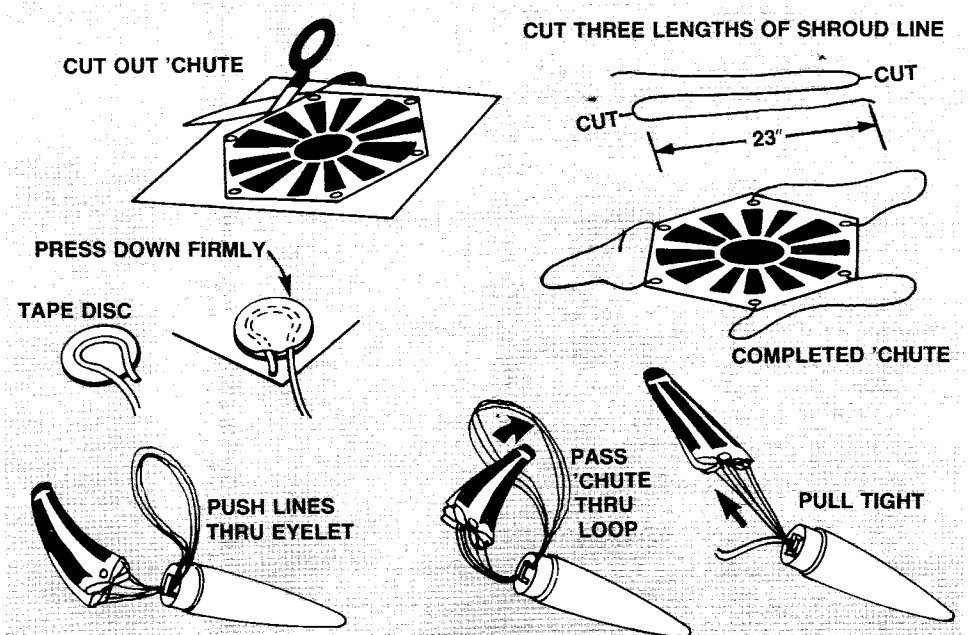
10

- Cement nose cone and nose cone insert together with plastic model cement.
- Push nose cone insert firmly into nose cone.



11

- Cut out parachute on edge lines.
- Cut three 23 inch lengths of shroud line.
- Form small loops with shroud line ends and press onto sticky side of tape discs.
- Attach tape discs with line ends to top of parachute as shown.
- Firmly press tape discs into place until both tape discs and parachute material are molded around shroud line loops.
- Pass shroud line loops through eyelet on nose cone. Pass parachute through loop ends and pull lines against the nose cone.
- Tie free end of shock cord to nose cone eyelet.



FINISHING YOUR ROCKET

Apply sanding sealer to fins. When sealer is dry, lightly sand parts. Repeat sealing and sanding until balsa grain lines are filled. Spray paint the nose cone and entire rocket with gloss white enamel. Follow instructions on spray can for best results. Allow the paint to dry overnight before masking for the second color.

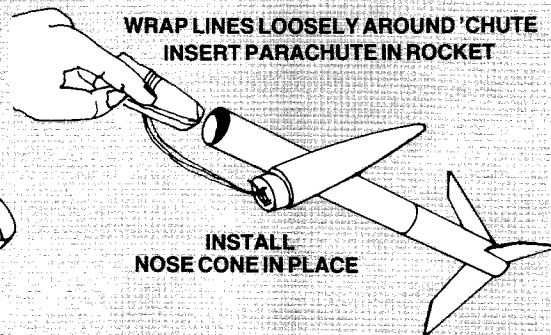
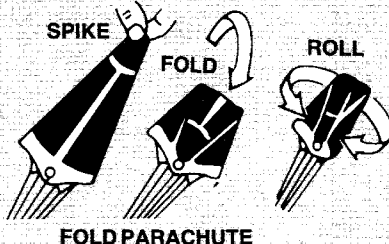
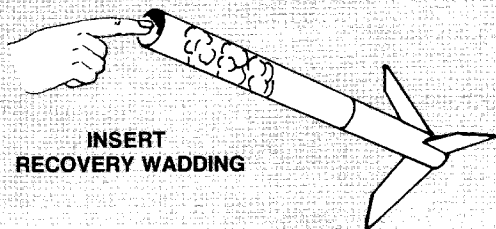
Wrap a piece of masking tape around body with the bottom of the tape 7/8 inches from the front of the body. Wrap paper around the

upper portion of the body and tape in place. Seal any openings in the paper with tape. Paint the lower portion of the rocket purple. Allow paint to dry for a couple of hours before removing paper and tape.

Refer to photo on front of instructions and photo on panel for decal placement. To apply decals, cut out each decal, dip in lukewarm water for 20 seconds, and hold until it uncurls. Slip decal off backing sheet and onto model. Blot away excess water.

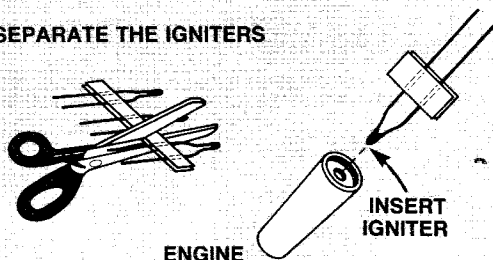
ROCKET PREFLIGHT

CRUMPLE AND INSERT 3 SQUARES OF RECOVERY WADDING

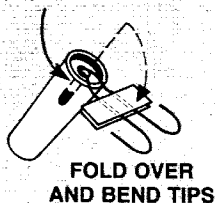


PREPARE ENGINE

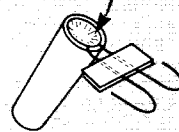
SEPARATE THE IGNITERS



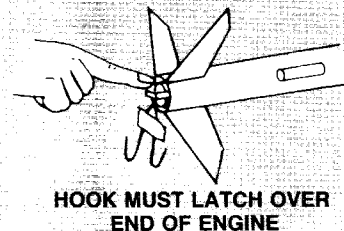
IGNITER TIP MUST TOUCH PROPELLANT DEEP INSIDE NOZZLE OPENING



APPLY AND FIRMLY PRESS MASKING TAPE OR TAPE DISC IN PLACE



INSTALL ENGINE IN ROCKET



LAUNCH SUPPLIES

To launch your rocket you will need the following items:

- An Estes model rocket launching system
 - Estes Recovery Wadding (No. 2274)
 - Recommended Engines: A8-3, B4-4, B6-4, B8-5, C6-3, or C6-5
- Use A8-3 engine for your first flight to become familiar with your rocket's flight pattern.

FLYING YOUR ROCKET

Choose a large field away from power lines, tall trees, and low flying aircraft. Try to find a field at least 250 feet square. The larger the launch area, the better your chance of recovering your rocket. Football fields and playgrounds are great.

Launch area must be free of dry weeds and brown grass.

Launch only during calm weather with little or no wind and good visibility.

Don't leave parachute packed more than a minute or so before launch during cold weather [colder than 40° Fahrenheit (4° Celsius)]. Parachute may be dusted with talcum powder to avoid sticking.

MISFIRES

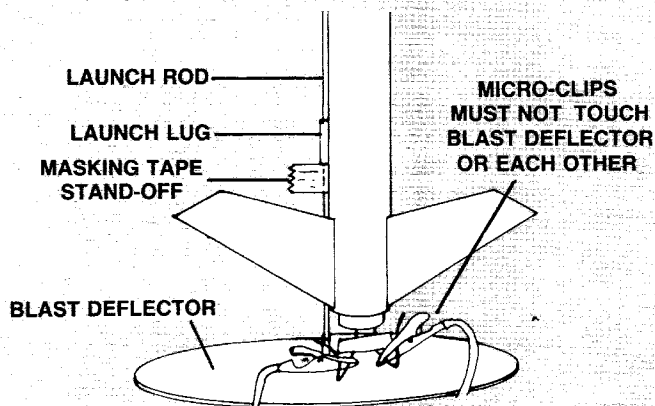
Failure of the rocket engine to function properly is nearly always caused by a failure to install the igniter correctly. This failure permits the igniter to heat and burn into two pieces without igniting the engine.

FOR YOUR SAFETY AND ENJOYMENT

Always follow the NAR-HIA* MODEL ROCKETRY SAFETY CODE while participating in any model rocketry activities.

*National Association of Rocketry-The Hobby Industry of America

COUNTDOWN AND LAUNCH



- 10 REMOVE SAFETY KEY to disarm the launch controller.
- 9 Remove safety cap and slide launch lug over launch rod to place rocket on launch pad. Make sure the rocket slides freely on the launch rod.
- 8 Attach micro-clips to the igniter wires. Arrange the clips so they do not touch each other or the metal blast deflector. Attach clips as close to protective tape on igniter as possible.
- 7 Move back from your rocket as far as launch wire will permit, (at least 15 feet).
- 6 INSERT SAFETY KEY to arm the launch controller.

Give audible countdown 5...4...3...2...1...

LAUNCH!! PUSH AND HOLD LAUNCH BUTTON UNTIL ENGINE IGNITES

Remove safety key—Replace cap on rod.



A DAMON COMPANY

DASHER
DASHER
DASHER
DASHER
DASHER
DASHER
DASHER
DASHERTM



A DAMON COMPANY

ESTES INDUSTRIES

PN 37321