

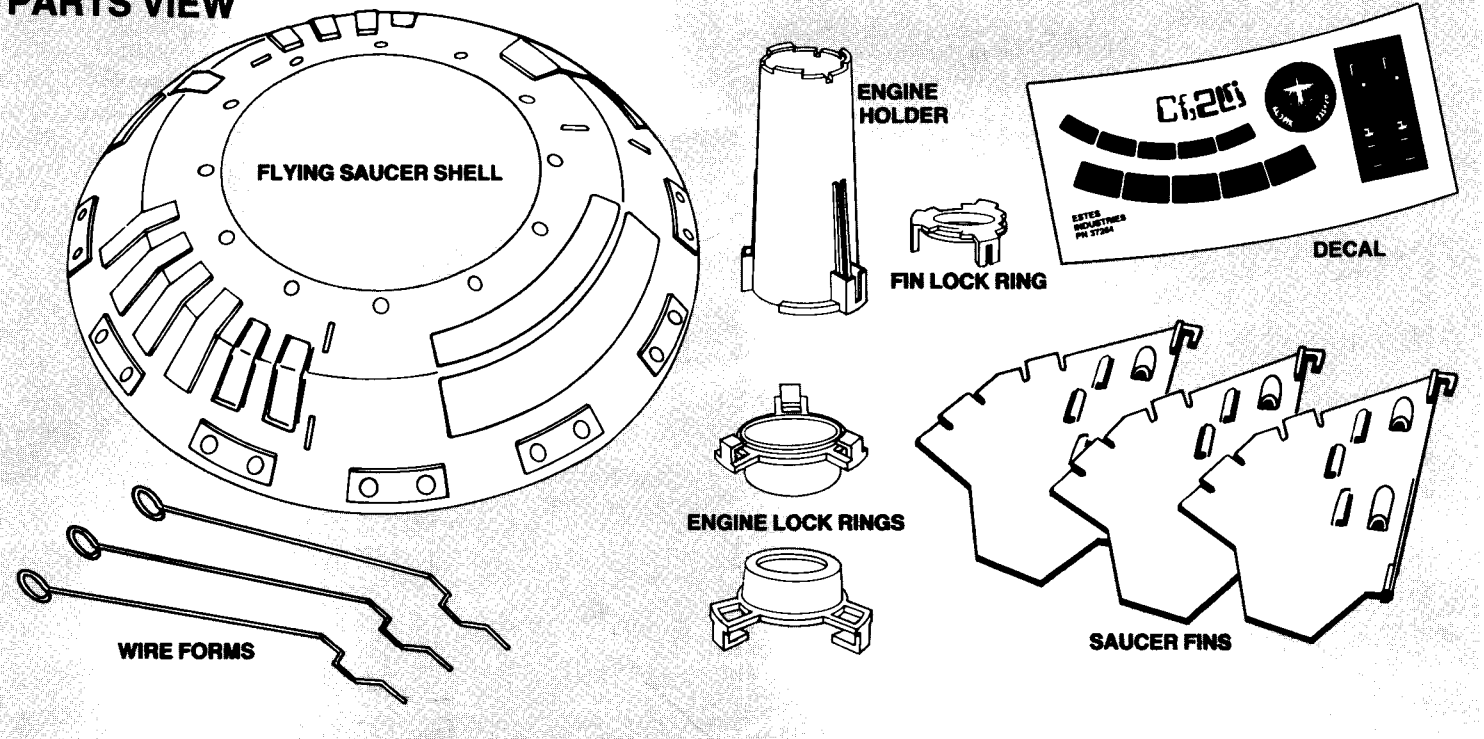
FLYING SAUCER

FLYING MODEL ROCKET



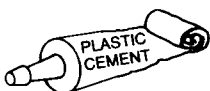
KIT NO. 1947 Skill Level 2 This Kit Recommended For Intermediate Rocketeers

PARTS VIEW



MATERIALS

Locate the parts and materials shown in the parts view and lay them out on the table in front of you. In addition to the parts included in the kit you will also need: tube type plastic cement or liquid plastic cement.



TUBE TYPE PLASTIC CEMENT

OR



LIQUID PLASTIC CEMENT

ASSEMBLY TIP

Read all instructions before beginning work on your model. Make sure you have all parts and materials. When you are thoroughly familiar with the assembly procedure, begin construction. Check off each step as you complete it. In each step, test-fit the parts together before applying any cement. Pay special attention to the symbols for application of cement or no application as shown below.



CEMENT

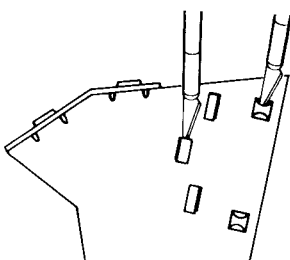


NO CEMENT REQUIRED

ASSEMBLY

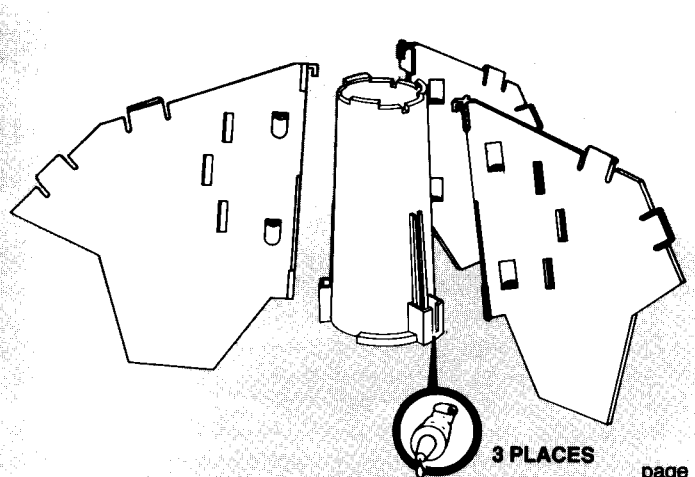
1

- A. Remove any plastic flash from under the wireform tabs and launch lugs.



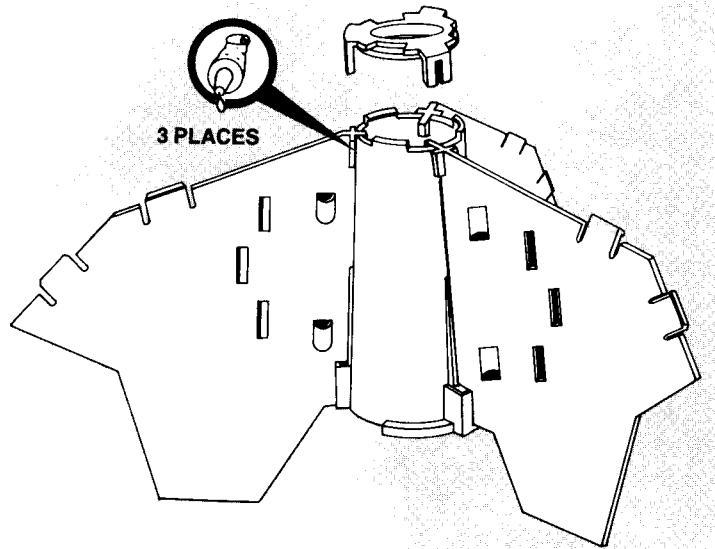
LAUNCH ROD MUST SLIDE FREELY THROUGH LAUNCH LUGS.

- B. Apply cement to slots along engine holder. (three places)
C. Position saucer fins into slots and hook top part of fin into top slot on engine holder.



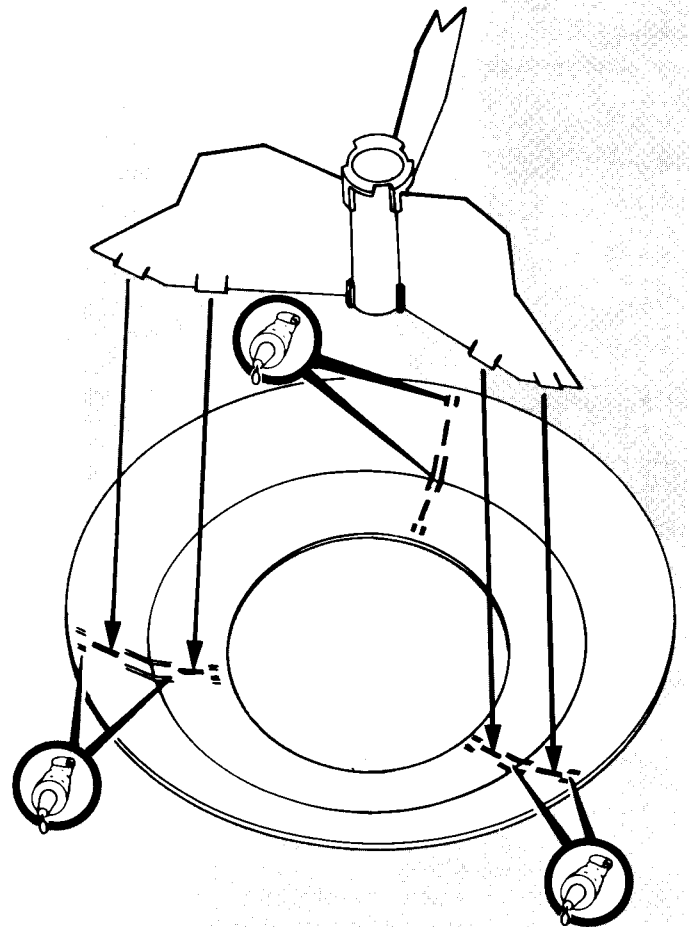
2

- A. Apply a small amount of cement to top lobe on the three fins.
- B. Push fin lock ring into place until it snaps securely onto engine holder.



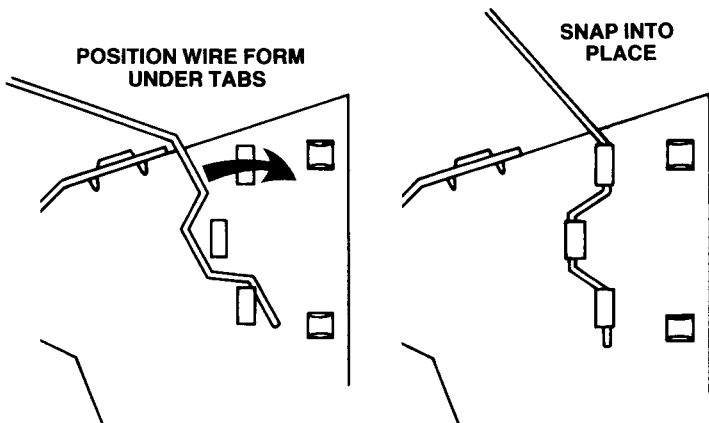
3

- A. Apply a small amount of cement to inside of saucer fin location slots on inside surface of saucer shell.
- B. Position saucer fin lock tabs in slots of saucer shell.
- C. Push fins into slots until lock tabs snap into place.
Allow Cement to dry thoroughly.

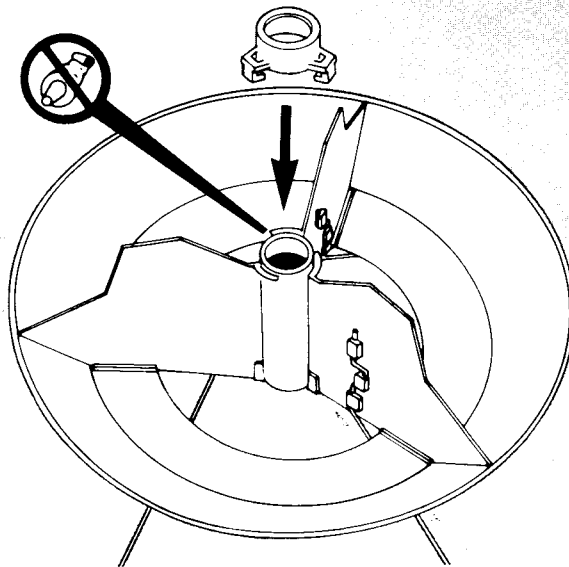
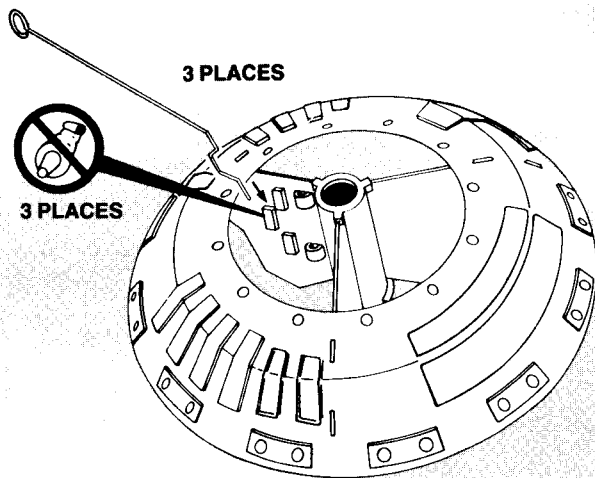


4

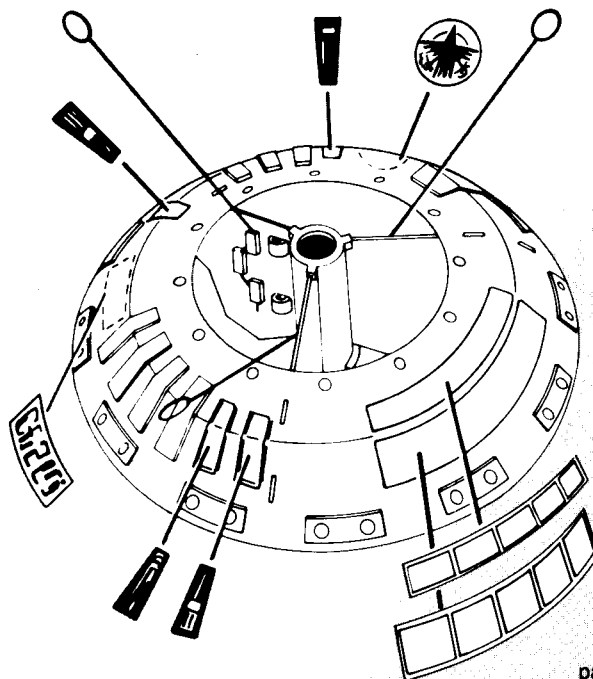
- A. Snap three wire forms into place as shown.
- B. Wire forms are made to take the impact of landing and can come off in a hard landing. If this happens, snap wire forms back into place.

**5**

- A. Position one of the engine lock rings on engine holder and turn clockwise to lock it into place.
- B. To remove engine lock ring turn ring counter-clockwise and remove.
- C. Your Flying Saucer comes with two lock rings. One is a spare to be used if the first one is lost or misplaced.

**6**

- Apply self adhesive decals in positions shown.
- A. Wipe decal areas with a clean cloth to remove any oily fingerprints.
- B. Peel the decals from the backing sheet one at a time. Center each decal carefully onto its designated area and press it firmly into place.



FLYING YOUR SAUCER

Choose a large field away from power lines, tall trees, and low flying aircraft. For your first flight try to find a field at least 250 feet square. In choosing a launch area, the larger the better. Football fields and playgrounds are suitable. The larger the launch area, the better your chance of recovering your rocket.

Wind is the biggest problem for model rocketeers. If you want to get your model back, launch in light wind or, when possible, in calm weather. Never launch near a thunderstorm. Unlike most model rockets, the Flying Saucer is designed to use booster engines only. The boost/drop recovery system means that no parachute is needed.

LAUNCHING COMPONENTS

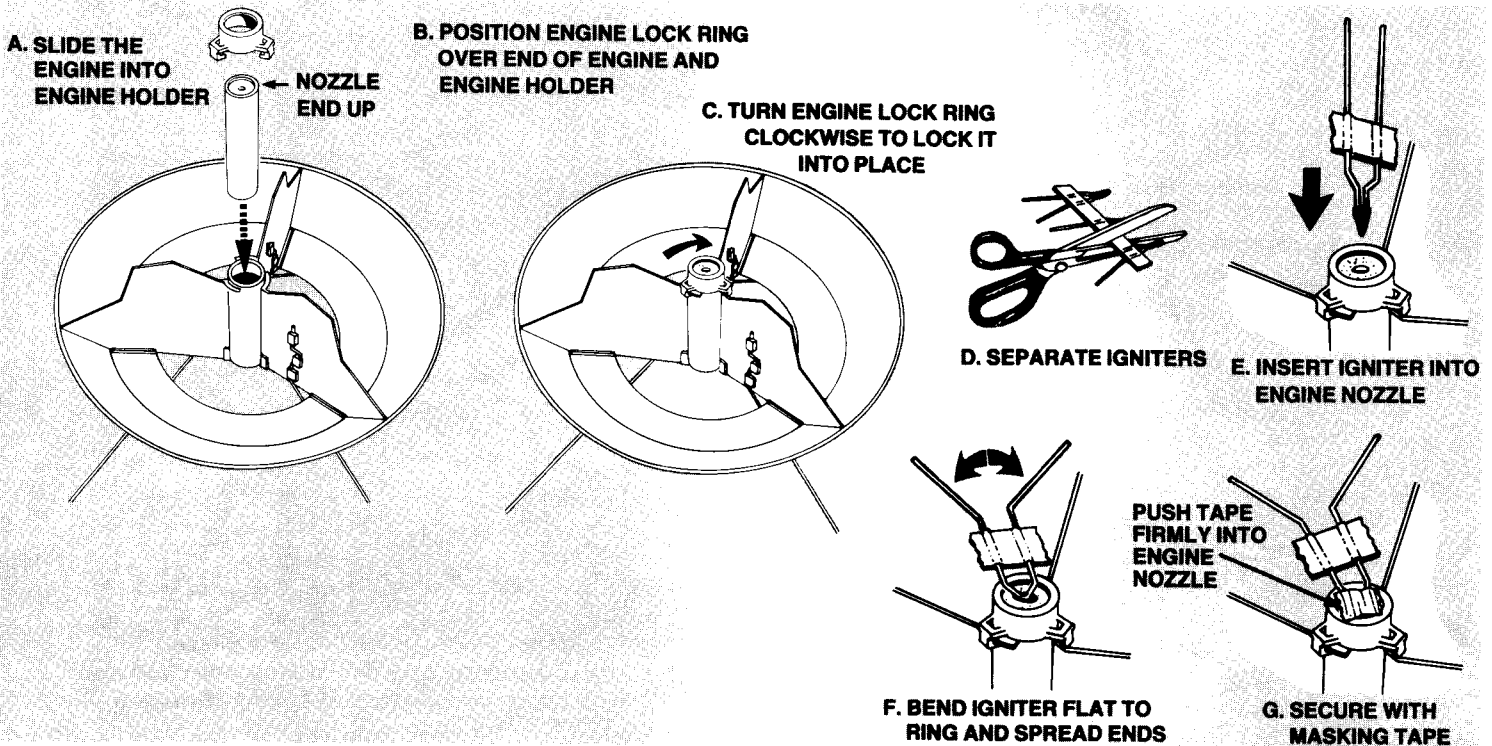
To launch your Saucer you will need the following items:

- An Estes model rocket launching system
- Recommended Engines: B6-0 and C6-0

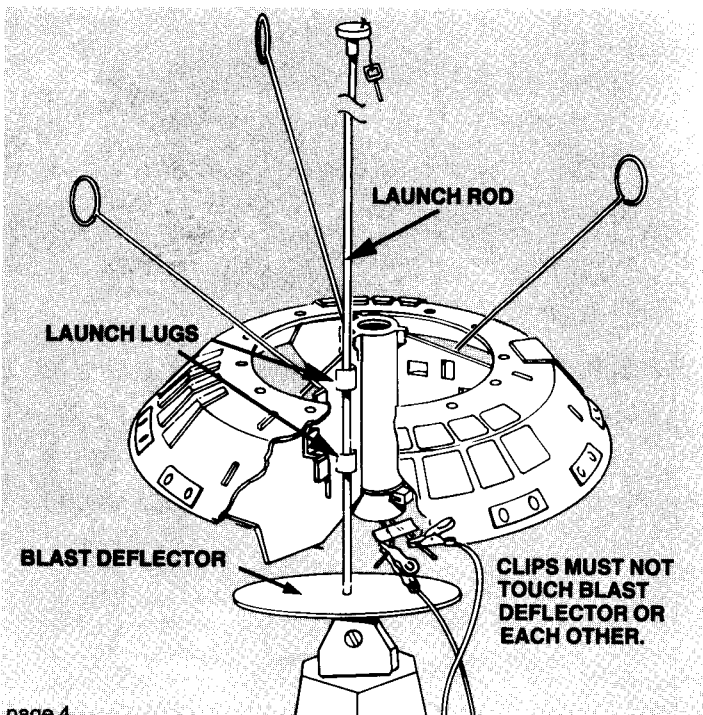
Be sure to follow the HIAA-NAR* Model Rocket Safety Code when carrying out your model rocket activities.

- *HIAA—Hobby Industry Association of America
- *NAR—National Association of Rocketry

SAUCER PREFLIGHT



LAUNCH PROCEDURE



COUNTDOWN CHECKLIST

- ① Disarm the launch panel—**REMOVE THE SAFETY KEY!**
- ② Slide the launch rod through both Saucer launch lugs and place Saucer on launch pad. Make sure the Saucer slides freely on the launch rod. Clean the micro-clips and attach them to the igniter wires. Arrange the clips so they do not touch each other or the metal blast deflector. Attach clips as close to protective tape on igniter as possible.
- ③ Move back from your Saucer as far as launch wire will permit. Alert bystanders that you are ready to launch.
- ④ Arm the launch panel—**INSERT SAFETY KEY!**
- ⑤ **LAUNCH!! PUSH AND HOLD LAUNCH BUTTON UNTIL ENGINE IGNITES**
- ⚡ **MISFIRE PROCEDURE**

Disarm the launch panel. Wait one minute before approaching the rocket on the launch pad. Remove the rocket, clean the igniter residue from the nozzle of the engine, and carefully install a new igniter. Repeat the Countdown Checklist.

Failure of the rocket engine to function properly is nearly always caused by a failure to install the igniter correctly. This failure permits the igniter to heat and burn into two pieces without igniting the engine.