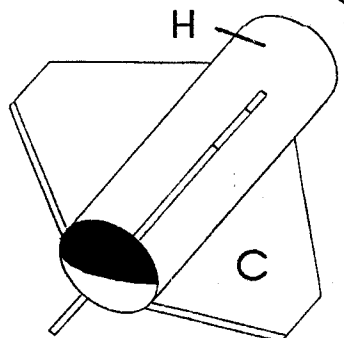
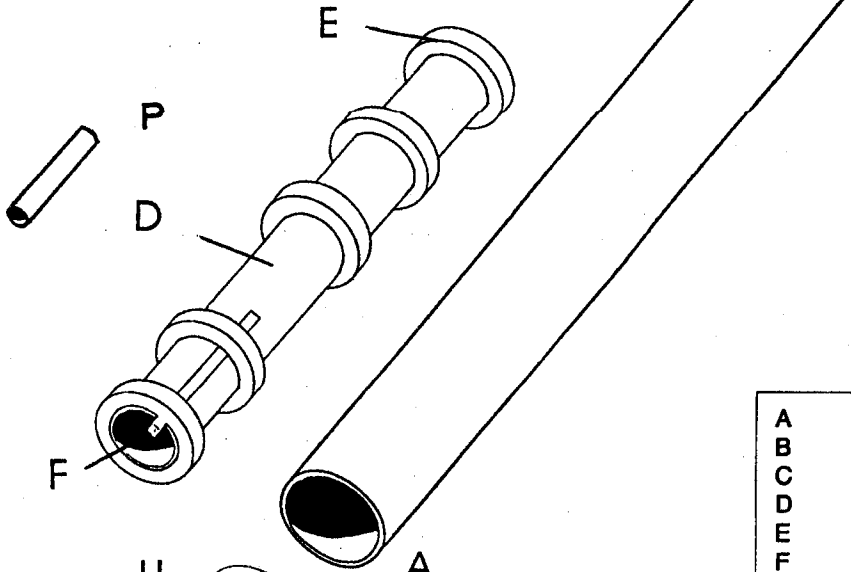
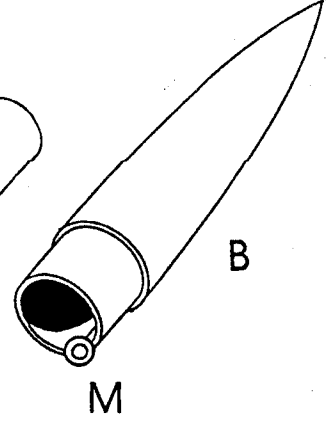
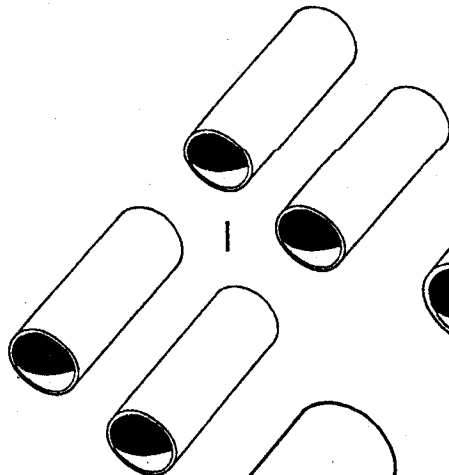
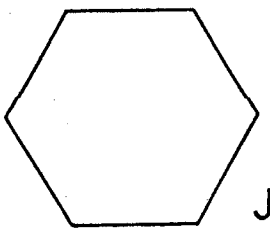
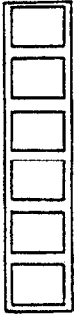
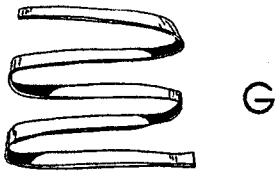


BulletTM

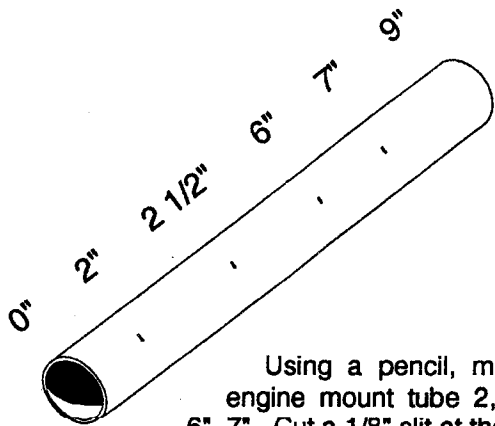
INSTRUCTIONS

© 1993 Custom Rocket Company



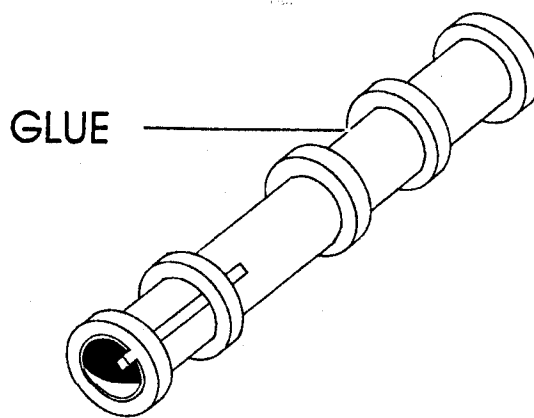
A	Body tube (18")	(MT-5518)
B	Nose cone	(PC-55)
C	Balsa	(BAL10015)
D	Engine tube	(MT509)
E	Centering rings (5)	(CR-5055)
F	Engine clip	(EC-2)
G	Shock cord	(SC-1)
H	Body tube (6")	(MT556)
I	Decoration tube (4)	(ET-20)
J	Parachute	(PK-18)
K	Shroud lines	(SL-96)
L	Tape disk	(TD-6)
M	Screw eye	(SE-2)
N	Decal*	(D-10015)
O	Template*	(TEM10015)
P	Launch Lug	(LUG125)
	*Items not shown	

1



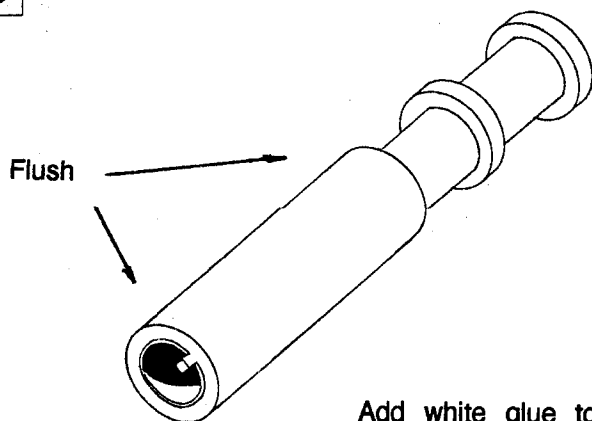
Using a pencil, mark the engine mount tube 2, 2 1/2, 6, 7. Cut a 1/8" slit at the 2 1/2" mark and insert the engine clip into the slot. Take the centering rings, and slide them onto the tube at the 0", 2", 6" 7" and 9" locations. At the 0" and 9" marks, the rings should be flush with the end of the tube.

2



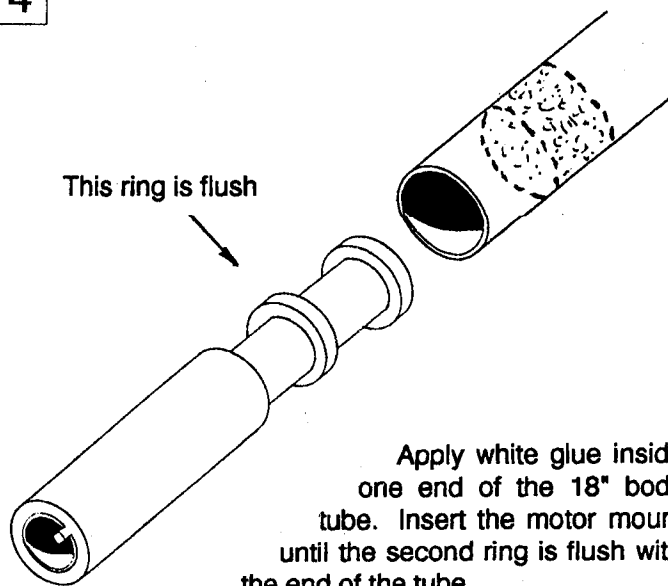
Apply white glue to the joints on all the rings. Let this motor mount completely dry before going to the next step. It's very important not to rush this step!

3



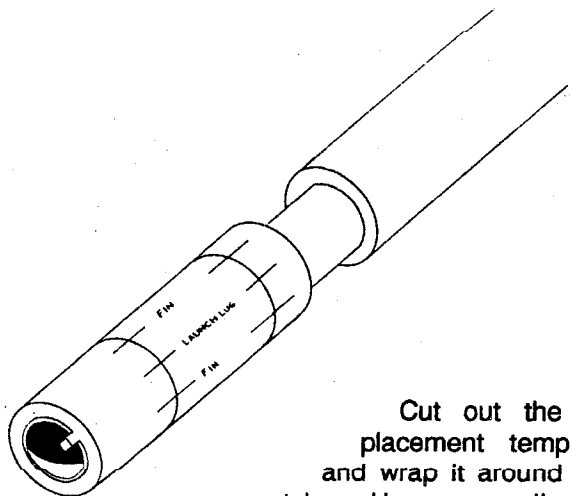
Add white glue to the inside of the 6" tube and insert the motor mount assembly inside the tube until the end ring is flush with the tube. Notice the location of the engine clip.

4



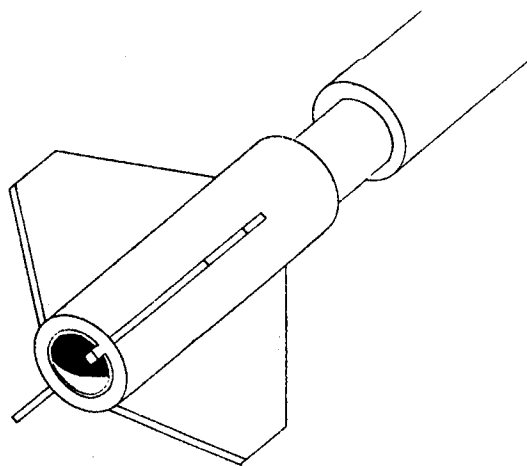
Apply white glue inside one end of the 18" body tube. Insert the motor mount until the second ring is flush with the end of the tube.

5



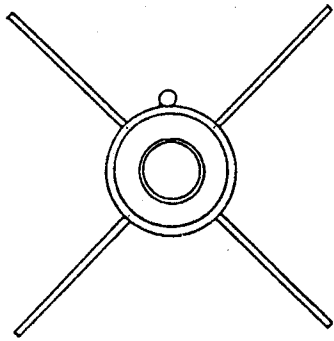
Cut out the fin placement template and wrap it around the tube. Use a pencil and mark the fin and launch lug locations.

6



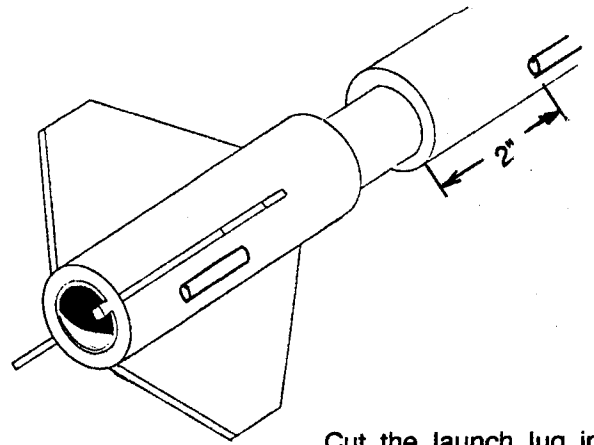
Cut and sand the balsa with fine sandpaper. Glue the fins on, one at a time, onto the fin markings on the body tube, with white glue. Wait for each fin to dry before applying the next fin.

7



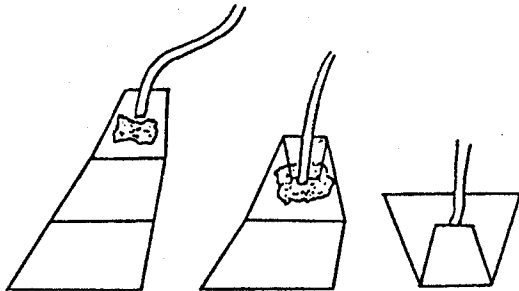
This is how the end view should look.

8



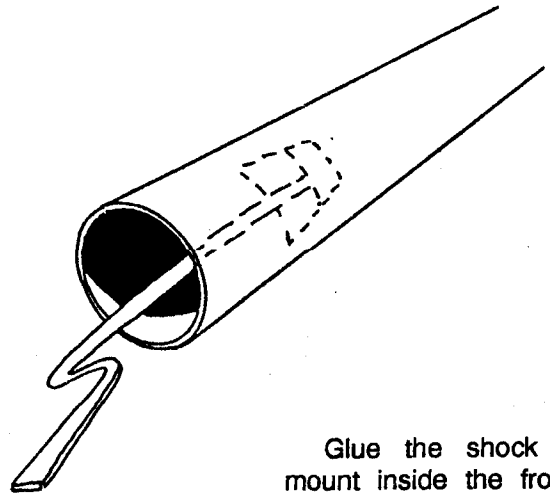
Cut the launch lug in half. Glue one portion of it to the short 6" tube. Glue the other half 2" from the end of the long 18" tube.

9



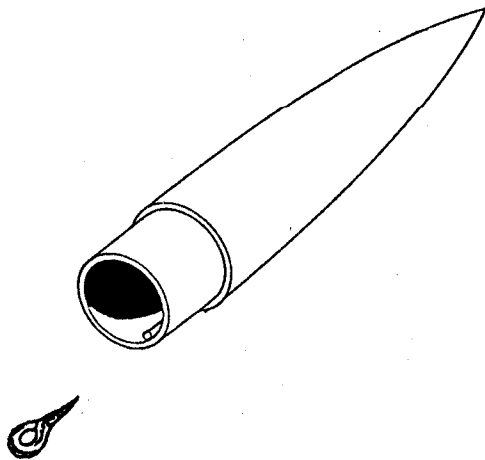
A. Cut out the shock cord mount and apply glue to section 1. Lay the end of the shock cord into the glue.
 B. Fold section 1 at the fold line and squeeze with your fingers.
 C. Apply glue to the back of section 1 and fold to section 3. Put complete assembly under a heavy object.

10



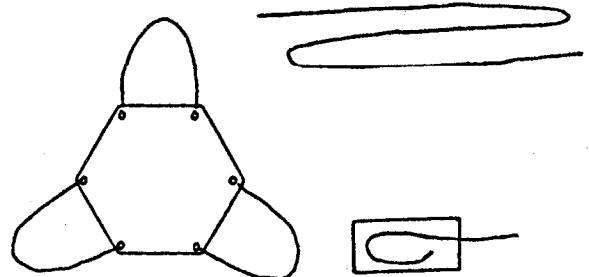
Glue the shock cord mount inside the front of the body tube 1" from the end. Hold the mount until it dries.

11



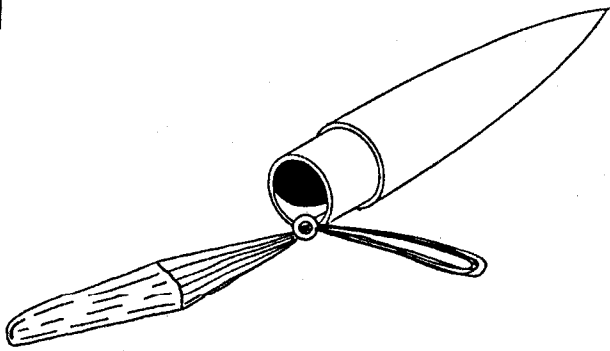
Insert the screw eye into the nose cone.

12



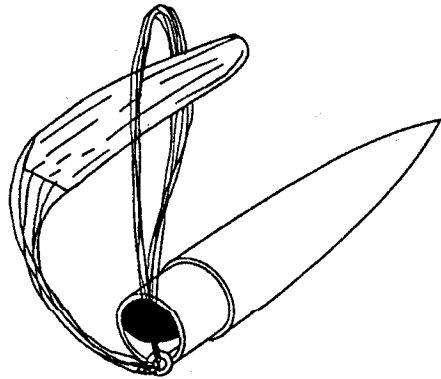
A Cut the shroud line into three equal parts.
 B Attach the end of the shrouds to the tape disks.
 C Tape the disks to the parachute as shown.

13



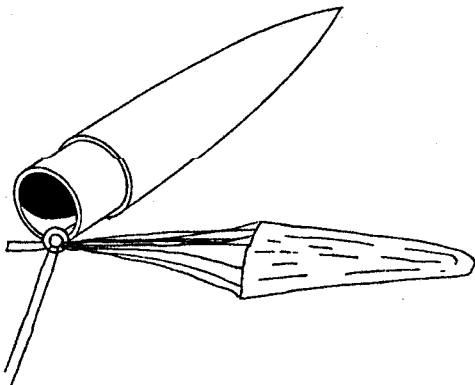
Thread the shroud line loops through the screw eye.

14



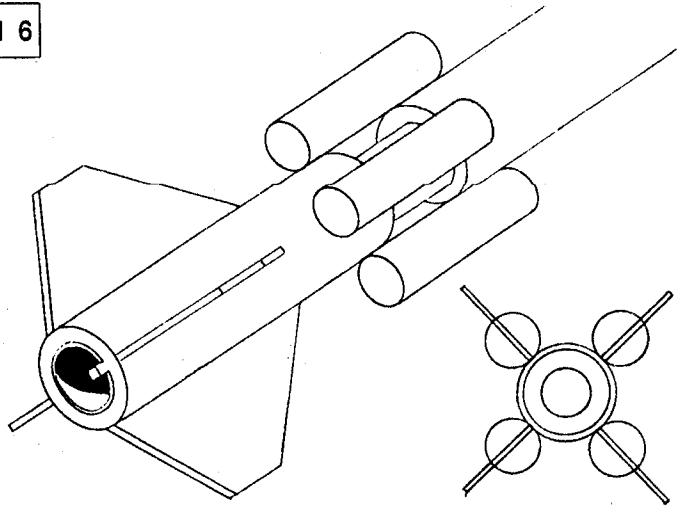
Take the loop ends and pass the parachute through. Pull the parachute tight.

15



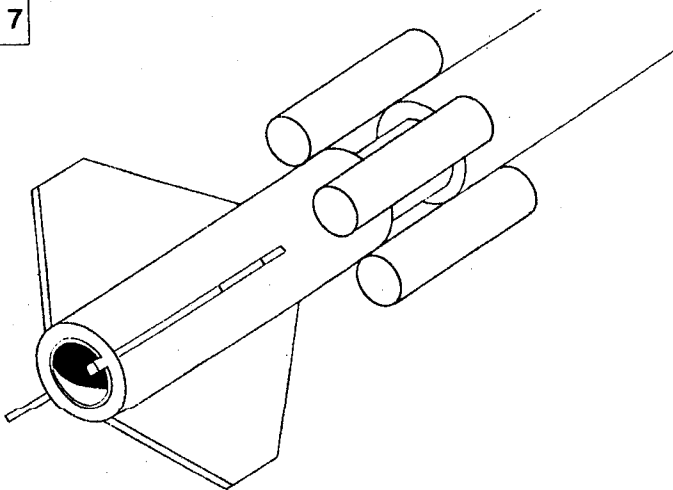
Tie the end of the shock cord through the screw eye.

16



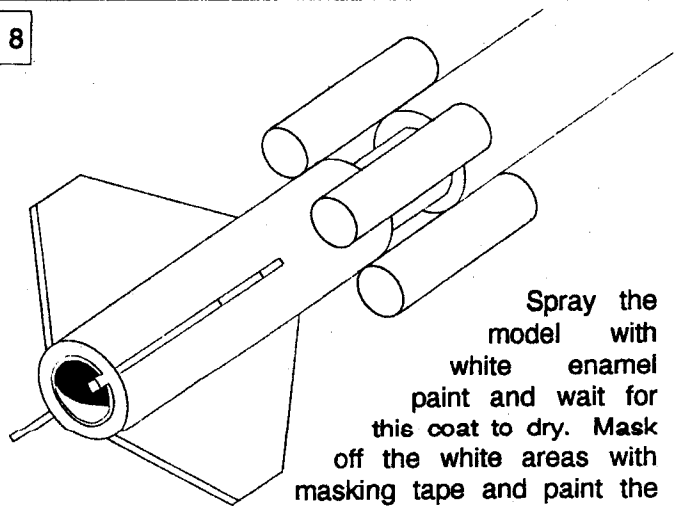
Glue on the four small decoration tubes with white glue.

17



Apply sanding sealer to all four fins. Sand the sealer and apply 3 more coats, sanding between each coat. This step will fill the balsa grain and make your model look better.

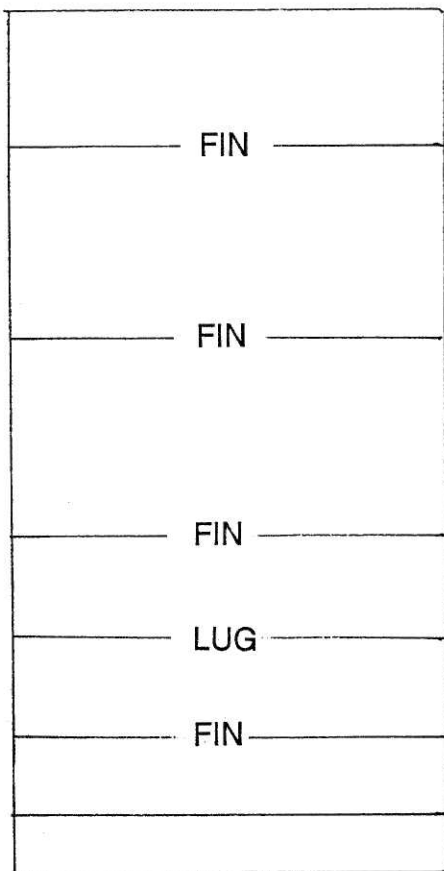
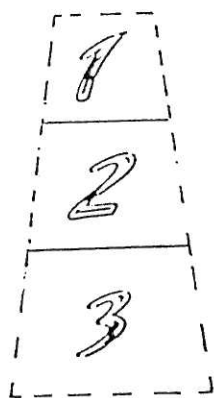
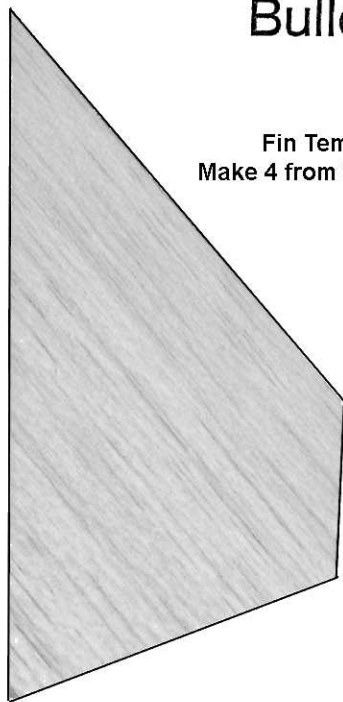
18



Spray the model with white enamel paint and wait for this coat to dry. Mask off the white areas with masking tape and paint the fins and the short 6" tube, red. After the paint has dried overnight, apply the decals by dipping them in water for 30 seconds and apply them to the model.

Bullet Template Sheet

Fin Template
Make 4 from 3/32" balsa



30	
	1
5	6
2	13
9	20
6	27
5	6
2	13
9	20
6	27
2	3
9	10
6	17
3	24
0	
1	3
7	8
4	15
1	22
8	29
4	5
1	12
8	19
5	26
2	3
9	10
6	17
3	24
0	31
6	7
3	14
0	21
7	28
3	4
0	11
7	18
4	25
1	2
8	9
5	16
2	23
9	30
5	6
2	13
9	20
6	27
3	4
0	11
7	18



U.S. AIR FORCE
U.S. AIR FORCE

USAF USAF

WARNING
FLUMING NITRIC ACID
STAY CLEAR

WARNING
FLUMING NITRIC ACID
STAY CLEAR

WARNING
FLUMING NITRIC ACID
STAY CLEAR

WARNING
FLUMING NITRIC ACID
STAY CLEAR

REV. 4 (C)1998
CUSTOM ROCKET CO