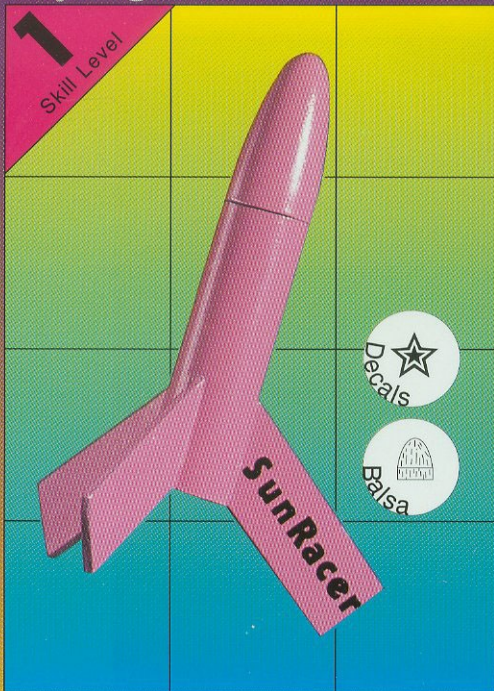


# Sunracer<sup>T.M.</sup>

Flying Model Rocket

**1**  
Skill Level



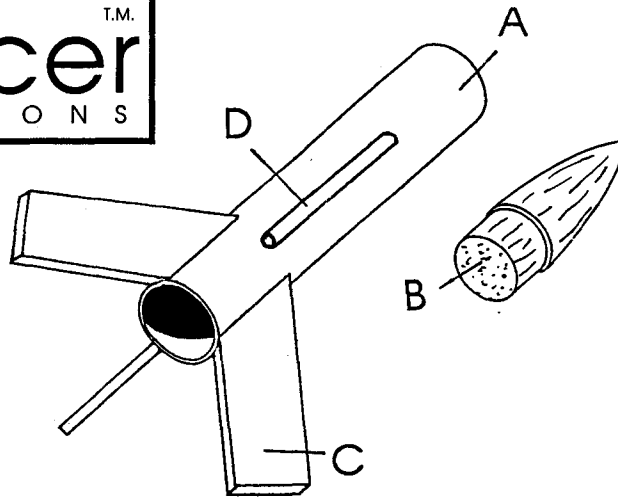
Length 3.5" (8.9cm)  
Dia.: 0.544" (13.8mm)  
Wt.: 0.1 oz. (2.8g)  
Engines: 1/2A3-4T,  
A10-3T  
Product No. 10009



**CUSTOM**

# SunRacer<sup>T.M.</sup>

INSTRUCTIONS



- A Body tube (ET-5)
  - B Nose cone (BC-5)
  - C Balsa (BAL10009)
  - D Launch lug (LUG125)
  - E Template (TEM-10009)
  - F Decal (D10009)
- Items E and F are not shown

Copyright 1993 Custom Rocket Company

**1**

Apply glue to the inside of the body tube and glue the nose cone to the tube.

**2**

Cut out the fin templates and cut out the fins as shown above.

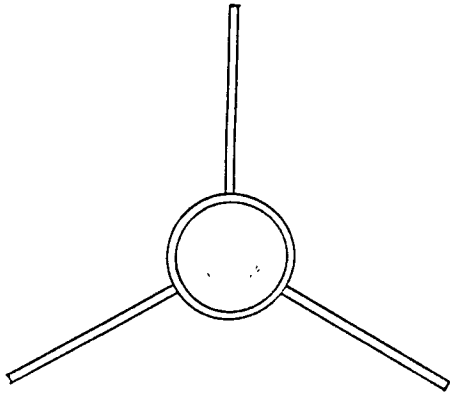
**3**

Cut out the fin placement template and wrap it around the tube. Use a pencil and mark the fin and launch lug locations.

**4**

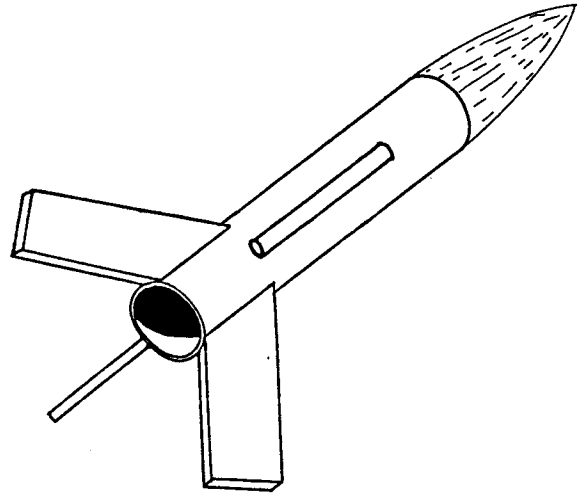
Glue on the fins with one at a time with white glue. Wait for each fin to dry before applying the next fin.

5



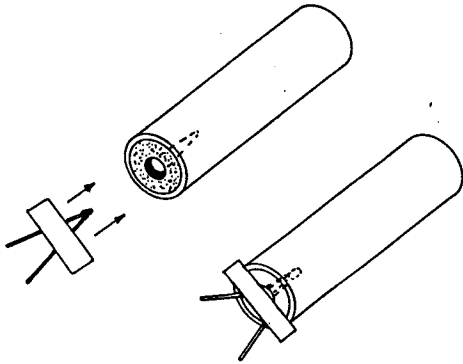
This is how the end view should look.

6



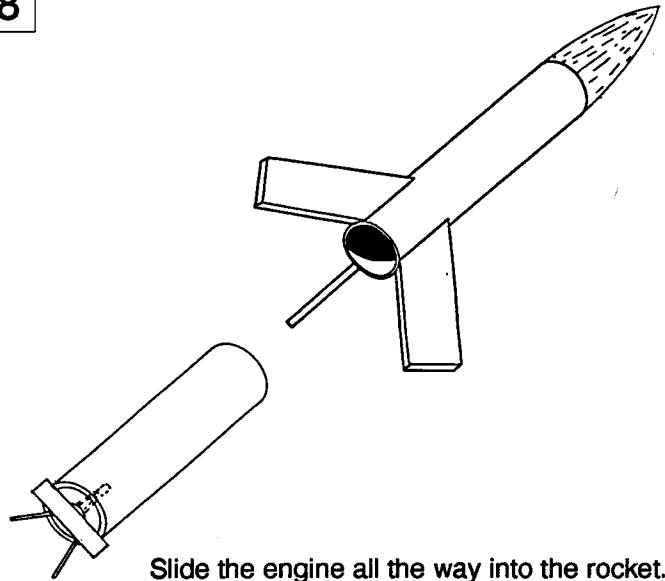
Glue the launch lug to the body tube as shown.

7



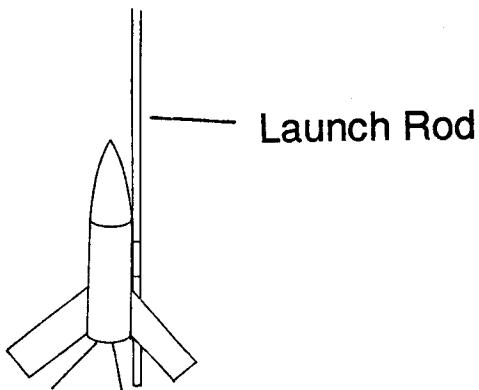
Select a mini engine (use 1/2A3-4T for the first flight) and install the igniter.

8



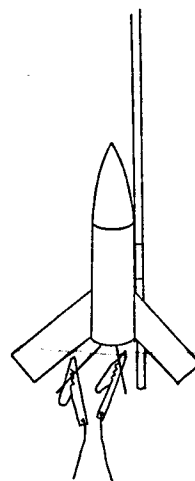
Slide the engine all the way into the rocket.

9



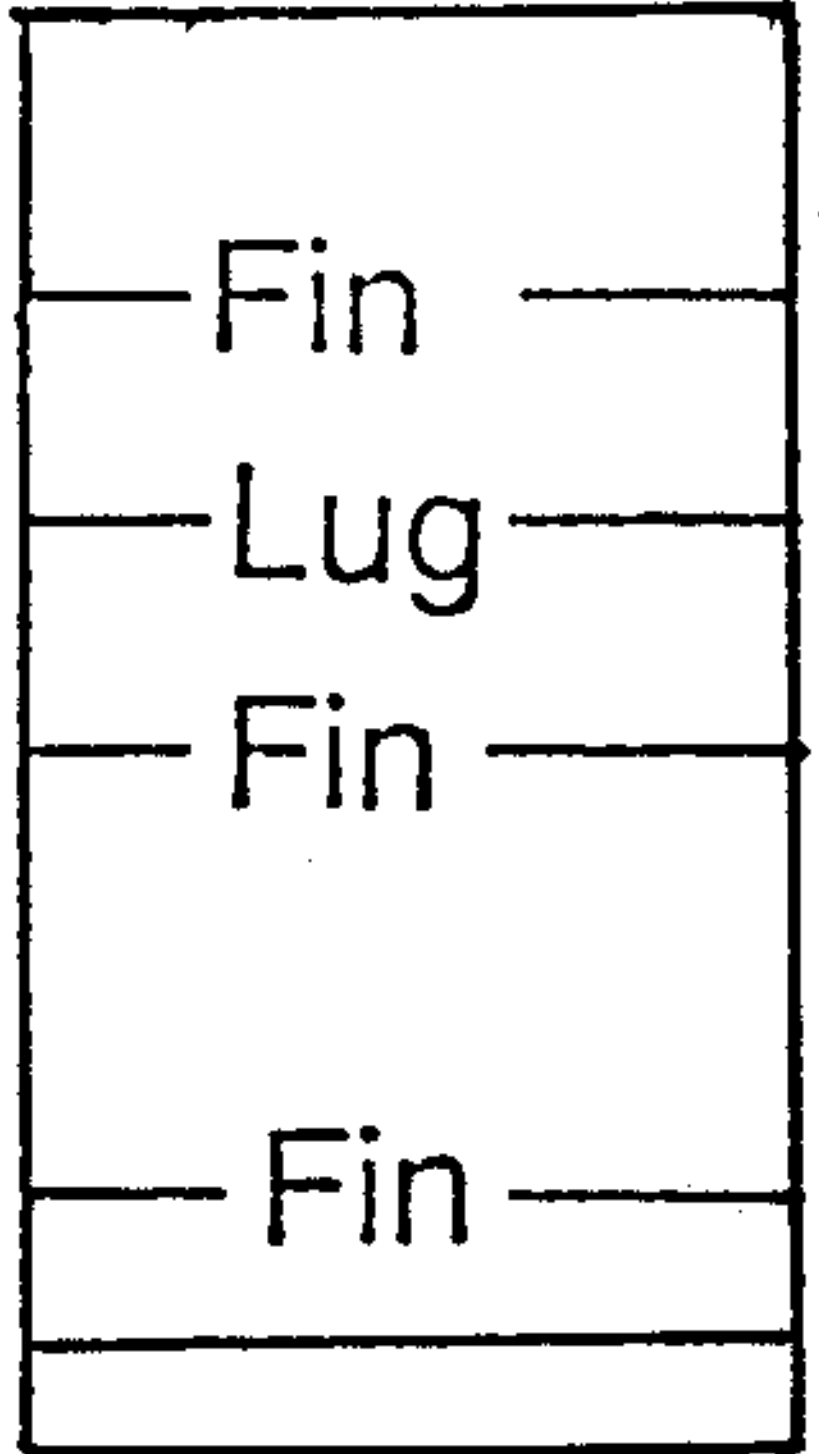
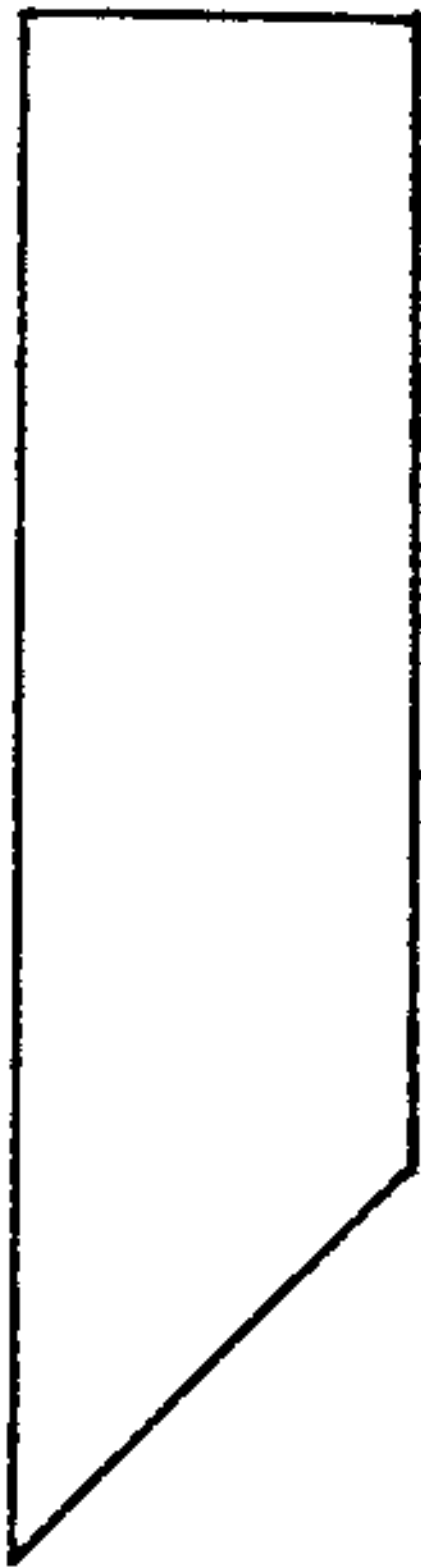
Select an open field least the size of a football field. Set up your launcher (not supplied) and slide the launch lug on the rocket over the launch rod.

10



Hook up the micro clips, making sure they don't touch themselves, or the blast deflector. Stand back 15 feet and your ready to launch.

# Sunracer Template





3

2

1

**sunRacer**



**sunRacer**

**sunRacer**