

NOVA RESEARCH ASSOCIATES

**INFORMATION SHEET  
AND  
MINI-CATALOG**

NOVA RESEARCH ASSOCIATES

P.O. BOX 305

LAKELAND, MINNESOTA 55043

612/436 5158



Greetings!

Nova Research Associates was formed to bring a line of high quality contest oriented rocket launchers to the serious model rocketeer. Our rugged and reliable launchers are also great for sport flying. Launcher prototypes have been entered in regional R & D competition with excellent results.

Our launchers are made from weather resistant, dimensionally stable redwood with high quality plated hardware. Models SC-1, SC-2 and the interchangeable launch rail assemblies are supplied as rough cut pre-assembled units to allow custom finishing. For those rocketeers who desire to build a launcher from scratch, Model T-1 provides full-size templates and building instructions.

We plan to continue research into new techniques and materials in order to bring you ground support equipment that adds excitement and realism to your model rocketry activities.

"Reach for the stars!"

*David Babulski*

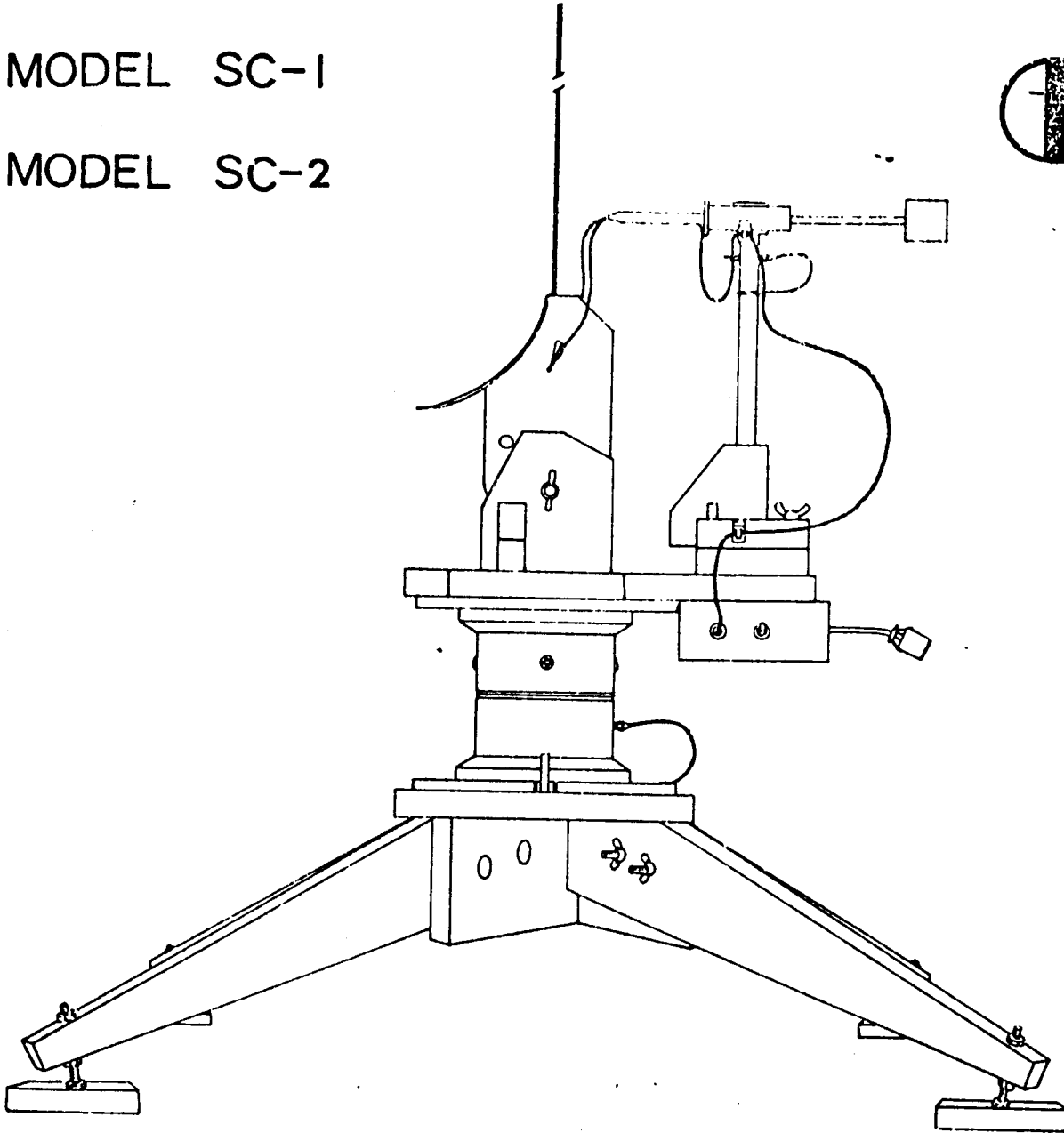
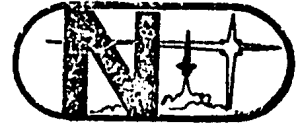
David Babulski

# SIRIUS CLASS

## model rocket launcher

MODEL SC-1

MODEL SC-2



INTRODUCING THE SIRIUS CLASS MODEL ROCKET LAUNCH SYSTEM. THE SIRIUS CLASS SYSTEM IS A FULLY STEERABLE, ULTRA STABLE, SOLID STATE CONTROLLED, SINGLE STATION LAUNCHER. A FULLY FUNCTIONAL FIRING LEAD UMBILICAL GANTRY ALLOWS THE SIRIUS CLASS LAUNCHER TO FULFILL A VARIETY OF MODEL ROCKET MISSION REQUIREMENTS.

THE SIRIUS CLASS LAUNCH SYSTEM PROVIDES THE ULTIMATE IN PERSONALIZED CUSTOM GROUND SERVICE EQUIPMENT.

# Sirius Class

1.0 THE SIRIUS CLASS LAUNCH SYSTEM WILL EXHIBIT THE FOLLOWING SPECIFICATIONS:

- 1.1 OVERALL WEIGHT:..... 1.87 KG (5 LBS)
- 1.2 OVERALL HEIGHT:..... 67.3 CM (26.5 INCHES)  
(AS MEASURED FROM GROUND LEVEL TO TOP OF GANTRY IN RETRACTED POSITION)
- 1.3 HEIGHT OF BASE:..... 30.5 CM (12 INCHES)  
( FROM GROUND LEVEL TO TOP OF LOWER BEARING)
- 1.4 LAUNCHER BASE FOOTPRINT:..... 3721 SQ. CM (4 SQ. FEET)
- 1.5 LAUNCHER BASE LEG PAD FOOTPRINT:..... 87.7 SQ. CM (9 SQ. INCHES)
- 1.6 LEG PAD HEIGHT ADJUSTMENT:..... EACH OF THE FOUR LEG PADS IS INDIVIDUALLY ADJUSTABLE BY 1 INCH ( 2.54 CM )
- 1.7 LEG PAD TILT ADJUSTMENT:..... EACH OF THE FOUR LEG PADS IS INDIVIDUALLY GIMBALLED TO ALLOW A MAXIMUM TILT OF 10 DEGREES FROM VERTICAL
- 1.8 ELEVATION ADJUSTMENT:..... VERTICAL TO +30°, CONTINUALLY ADJUSTABLE.  
NOTE: MECHANICAL STOPS PREVENT ELEVATION ADJUSTMENT BEYOND +30°

- 1.9 ELEVATION LOCK:..... FRICTION LOCK  
ADJUSTABLE WING NUT
- 1.10 AZIMUTH ADJUSTMENT:..... 360° ROTATION ON  
PVC BEARINGS
- 1.11 AZIMUTH LOCK:..... LOCKING PIN. PROVISION  
FOR AZIMUTH LOCK AT  
INTERVALS OF 90°
- 1.12 LAUNCHER TURNING RADIUS:..... 25.4 CM (10 INCHES)
- 1.13 FIRING LEAD UMBILICAL  
GANTRY:..... (NOMINAL SPECIFICATIONS)

1.13.1 VERTICAL ADJUSTMENT:  
GANTRY EXTENDS, FROM A RETRACTED  
HEIGHT OF 26.6 CM, TO A MAXIMUM  
OF 40.6 CM. PROVISION FOR LOCKING  
AT INTERVALS OF 3.8 CM IS  
PROVIDED BY A LOCKING PIN.

1.13.2 HORIZONTAL ADJUSTMENT OF  
GANTRY ARM:  
A MAXIMUM OF 7.6 CM LATERAL  
MOMENT OF THE FIRING LEADS  
IS PROVIDED BY THE GANTRY ARM.

1.13.3 HORIZONTAL ADJUSTMENT OF  
GANTRY HEAD:  
GANTRY ARM MAY BE ROTATED 360°  
WHEN GANTRY IS RETRACTED. A  
MAXIMUM ROTATION OF 90° IS  
PROVIDED WHEN GANTRY IS FULLY  
EXTENDED.

1.13.4 REMOVAL OF UMBILICAL GANTRY:  
THE GANTRY MAY BE TAKEN OFF  
THE LAUNCHER BY REMOVING A  
WING NUT ON THE AFT PORTION,  
UNPLUGGING FIRING LEADS AND  
LIFTING THE GANTRY ASSEMBLY  
OFF OF THE LAUNCHER.

NOTE: ADDITIONAL GANTRY ASSEMBLIES ARE

AVAILABLE TO FULFILL A VARIETY  
MISSION REQUIREMENTS

- 1.14 LAUNCH CONTROL:..... EXTERNAL, HAND HELD, LAUNCH CONTROL PANEL WHICH CONTROLS A POWER TRANSISTOR BIASED AS A SWITCH.  
NOTE: THE LAUNCH CONTROL TRANSISTOR SWITCH IS LOCATED IN THE LAUNCH CONTROL BOX UNDER THE AFT PORTION OF THE LAUNCHER
- A MASTER ARMING SWITCH IS PROVIDED TO AVOID PREMATURE IGNITION IN THE EVENT OF TRANSISTOR FAILURE.
- CONTINUITY CHECK IS PROVIDED BY AN AUDIO ALARM CIRCUIT.
- 1.15 IGNITION VOLTAGE:..... 9 VOLTS DC - LOCATED IN THE LAUNCH CONTROL BOX UNDER THE LAUNCHER.  
NOTE: LAUNCHER DESIGNED FOR USE WITH FLASHBULB IGNITION.
- 1.16 FIRING VOLTAGE:..... 3 VOLTS DC - PROVIDED BY 2 'AA' SIZE BATTERIES IN THE HAND HELD LAUNCH CONTROL PANEL; CONTROLS 'TURN-ON' OF THE TRANSISTOR SWITCH.
- 1.17 LAUNCH CONTROL PANEL: HAND HELD BOX CONNECTED TO THE LAUNCHER BY A FIFTEEN FOOT PLUGGABLE CABLE. THE CONTROL PANEL CONTAINS:
- 1.17.1 NORMALLY OPEN PUSH-BUTTON FIRING SWITCH
  - 1.17.2 KEY OPERATED SAFETY SWITCH

1.18 LAUNCH CONTROL..... ..EXTERNAL, HAND HELD,  
(MODE SC-2) LAUNCH CONTROL BOX. THE  
FOLLOWING LAUNCH CONTROLLERS  
MAY BE USED:

1.18.1 ESTES

SOLAR #2300

ASTRON #2212

1.18.2 CENTURI

POWER-CONTROL #5623

1.18.3 CNA SYSTEMS

MIDI-LAUNCHER-2 #MD-2B

1.18.4 AVI

LUNAR-LECTRIC

NOTE: CONNECTION TO THE UMBILICAL FIRING LEAD  
GANTRY IS MADE VIA FAHNESTOCK CLIPS ON  
LAUNCHER MAIN DECK.

1.19 LAUNCH ROD:..... 1/8 INCH DIAMETER, TWO  
PIECE LAUNCH ROD. 91.4  
CM (36 INCHES) IN LENGTH

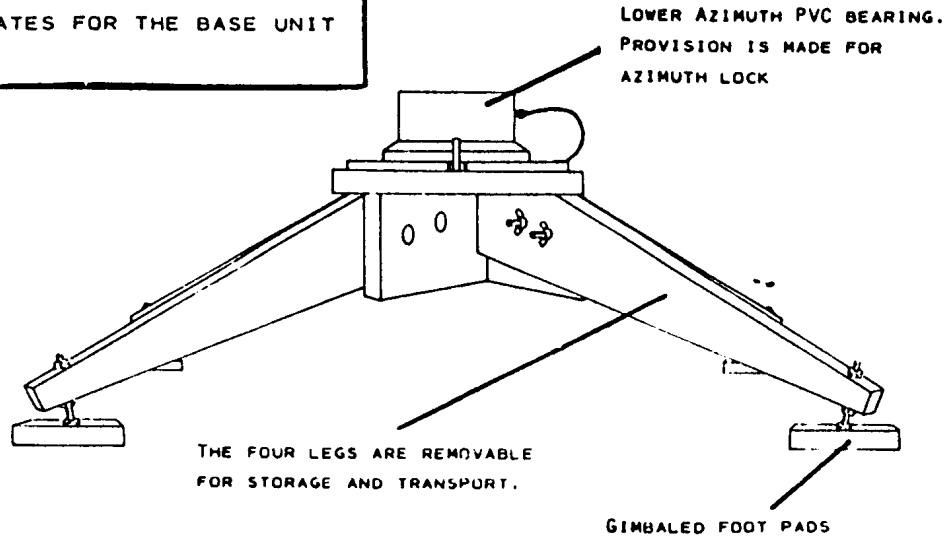
1.20 BLAST DEFLECTOR:..... SHEET STEEL, .078 CM  
(.031 INCHES) THICK AND  
7.62 CM (3 INCHES) WIDE  
AND FORMED INTO A PARABOLIC  
CURVE.

1.21 IGNITOR CONNECTION:.... SMOOTH JAWED MICRO-GATOR  
CLIPS.

# BASE UNIT

NOTE: THE BASE UNIT IS DESIGNED  
TO MATE WITH ALL FUTURE  
NOVA RESEARCH LAUNCHERS

MODEL SCB-1 .... SET OF CUTTING AND DRILLING  
TEMPLATES FOR THE BASE UNIT  
ONLY



# SUPERSTRUCTURE

INTERCHANGABLE LAUNCH RAIL  
ASSEMBLY (STANDARD 1/8 INCH  
LAUNCH ROD ASSEMBLY IS  
SHOWN)

MECHANICAL STOP. PREVENTS  
ELEVATION ADJUSTMENT BEYOND  
30° FROM THE VERTICAL.

ELEVATION LOCK

PVC AZIMUTH BEARING

IGNITOR LEAD UMBILICAL GANTRY.  
PROVIDES VERTICAL AND HORIZONTAL  
ADJUSTMENT OF THE IGNITOR LEADS.

MODEL SCS-1.... SET OF CUTTING AND DRILLING  
TEMPLATES FOR THE SUPERSTRUCTURE  
ONLY.

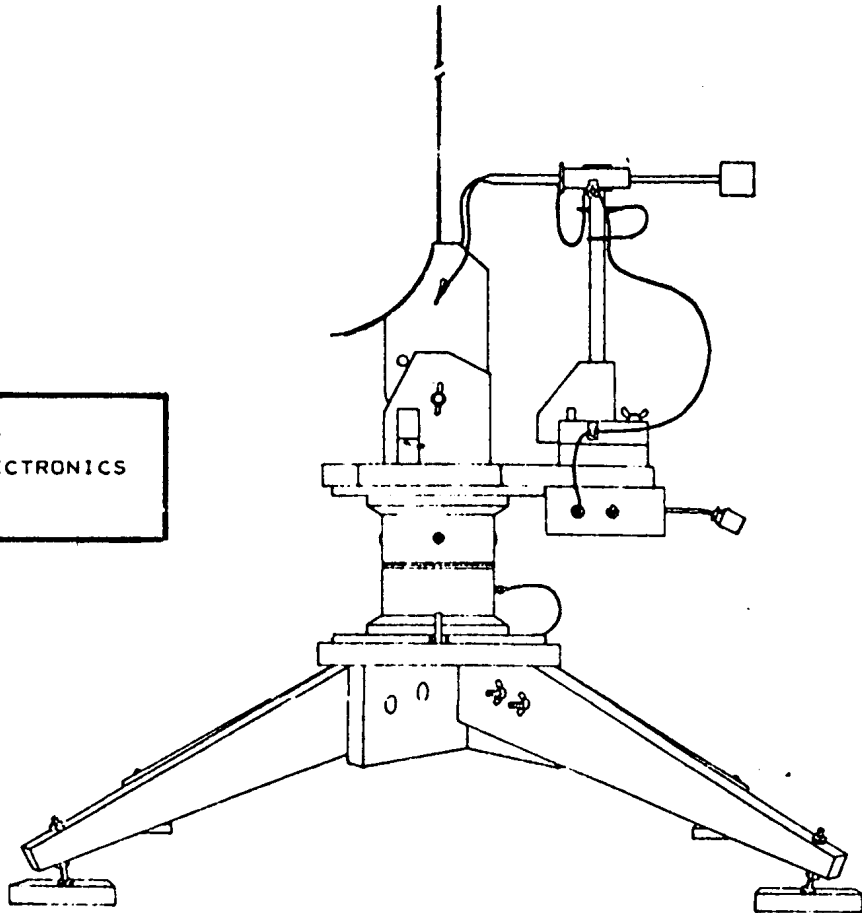
NOTE: THE GANTRY ASSEMBLY IS  
REMOVABLE TO ALLOW REPLACEMENT  
WITH DIFFERENT SIZED GANTRIES.

MODEL T-1 ..... SET OF CUTTING AND DRILLING  
TEMPLATES FOR BOTH THE BASE  
UNIT AND THE SUPERSTRUCTURE



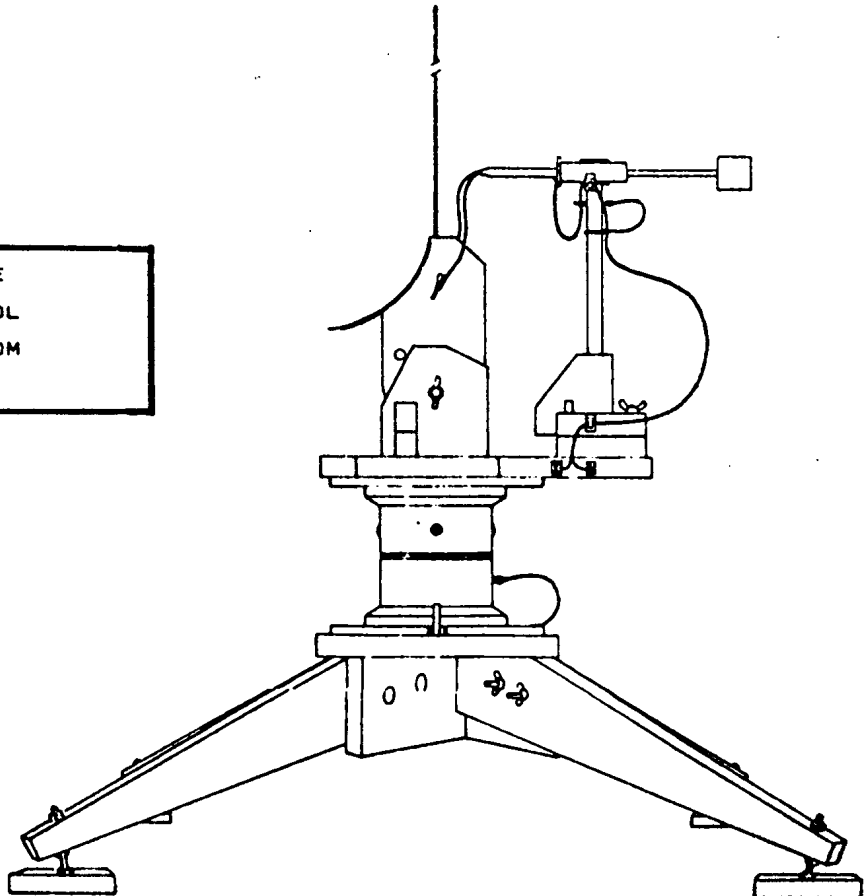
# MODEL SC-1

MODEL SC-1 ..... COMPLETE LAUNCHER WITH BASE  
UNIT AND LAUNCH CONTROL ELECTRONICS  
READY FOR CUSTOM FINISHING



# MODEL SC-2

MODEL SC-2 ..... COMPLETE LAUNCHER WITH BASE  
UNIT, WITHOUT LAUNCH CONTROL  
ELECTRONICS READY FOR CUSTOM  
FINISHING.

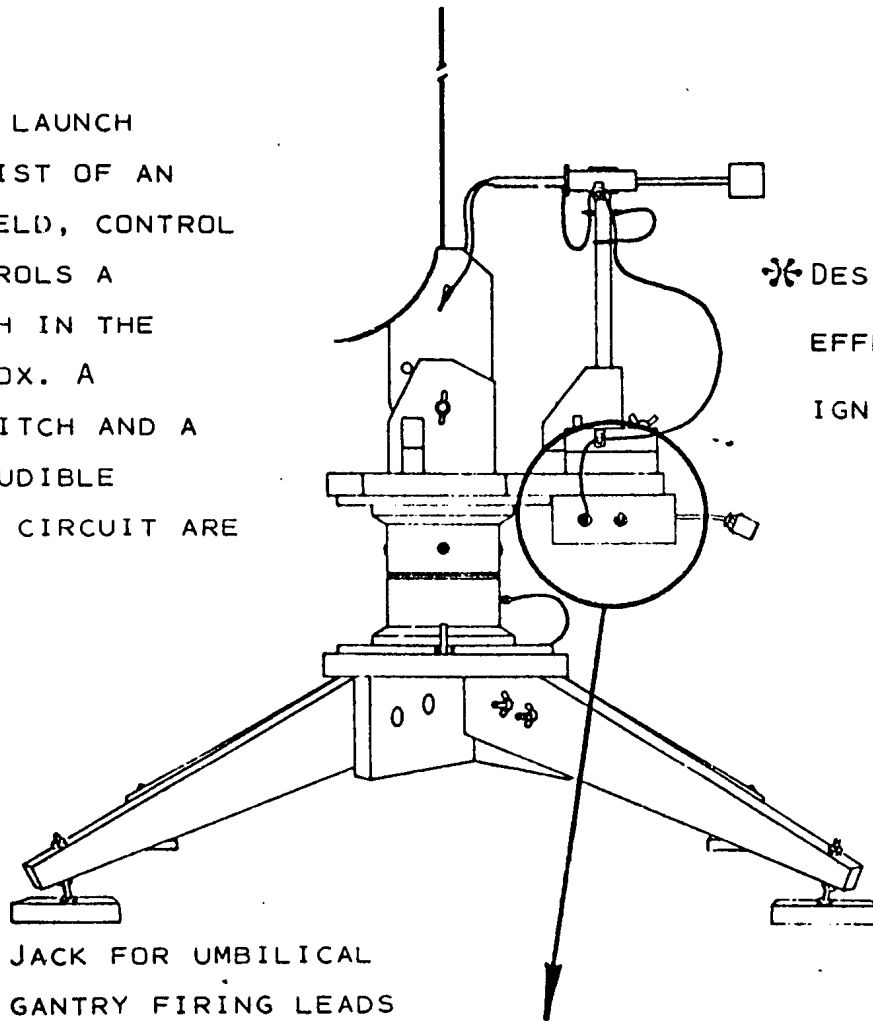


# LAUNCH CONTROL ELECTRONICS

## model sc-1

\* THE SIRIUS CLASS LAUNCH ELECTRONICS CONSIST OF AN EXTERNAL, HAND HELD, CONTROL PANEL WHICH CONTROLS A TRANSISTOR SWITCH IN THE LAUNCH CONTROL BOX. A MASTER ARMING SWITCH AND A FLASHBULB SAFE AUDIBLE CONTINUITY CHECK CIRCUIT ARE PROVIDED.

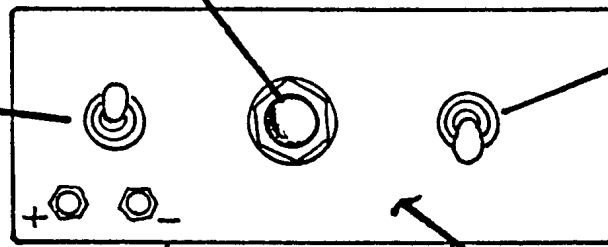
\* DESIGNED FOR SAFE AND EFFECTIVE FLASHBULB IGNITION



JACK FOR UMBILICAL GANTRY FIRING LEADS

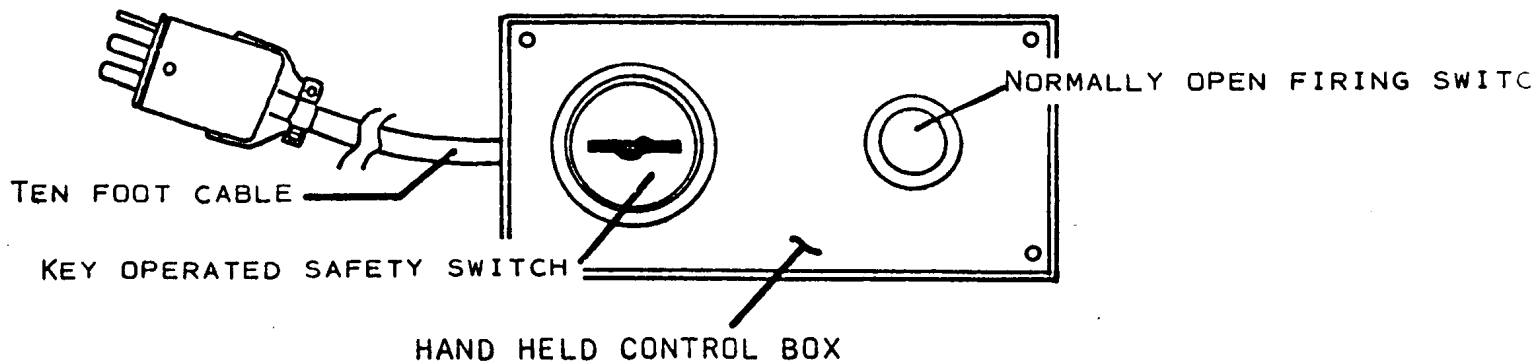
BATTERY BYPASS SWITCH. ALLOWS USE OF EXTERNAL HIGH CURRENT BATTERIES.

MASTER ARMING SWITCH



AUDIBLE CONTINUITY CHECK MODULE. SOUNDS A TONE IF MASTER ARMING SWITCH AT GO AND CONTINUITY O.K.

LAUNCH CONTROL BOX... CONTAINS 9 VOLTS D.C. SUPPLY AND A TRANSISTOR SWITCH.



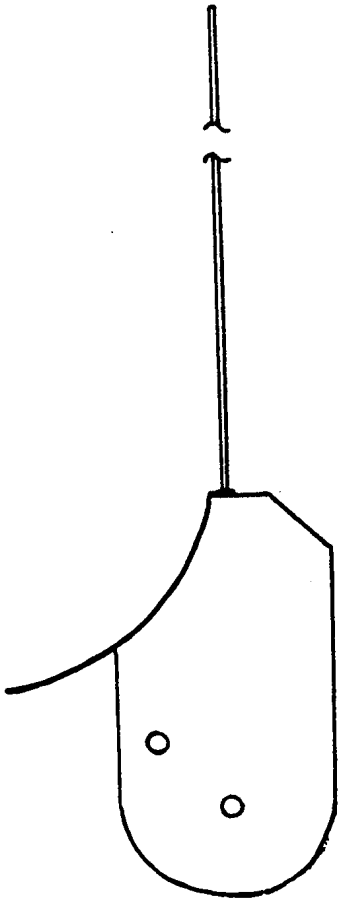
TEN FOOT CABLE

KEY OPERATED SAFETY SWITCH

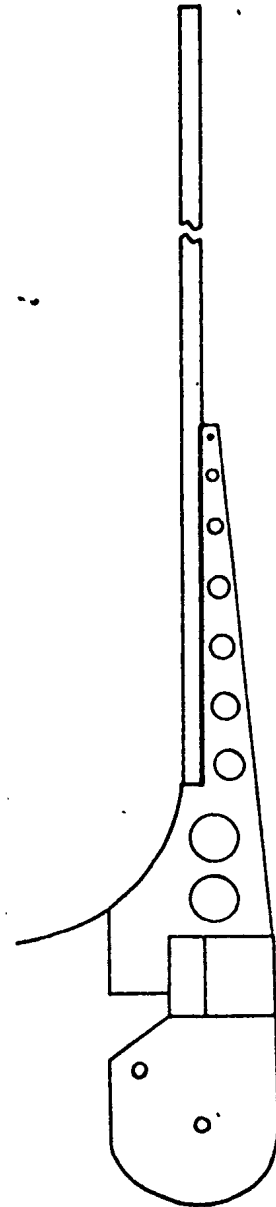
NORMALLY OPEN FIRING SWITCH

HAND HELD CONTROL BOX

# INTERCHANGEABLE LAUNCH RAILS

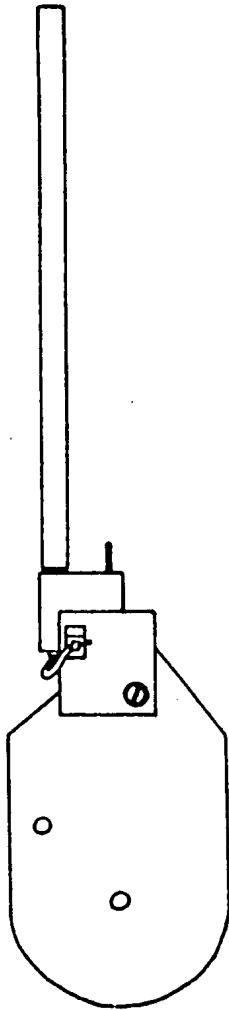


STANDARD 1/8 INCH LAUNCH ROD  
ASSEMBLY. SUPPLIED WITH MODELS  
SC-1, SC-2 AND T-1



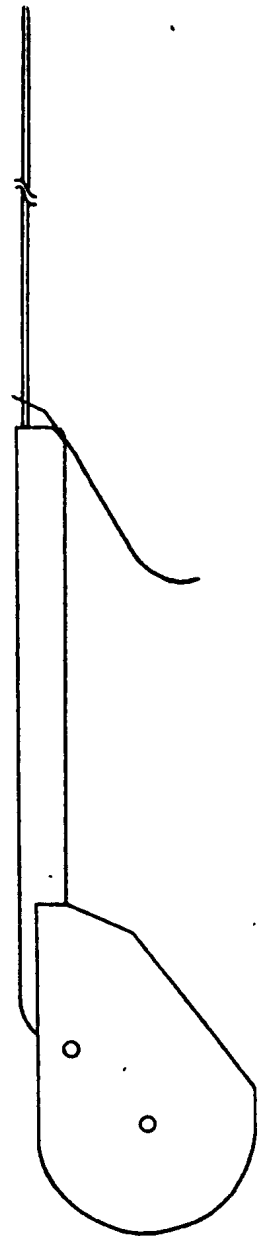
'C' RAIL ASSEMBLY

MODEL CLR-1 ..COMPLETE  
ASSEMBLY READY FOR  
CUSTOM FINISHING.



PISTON ASSEMBLY  
DESIGNED FOR USE WITH  
A CMR PISTON LAUNCHER

MODEL PLR-1 ..ASSEMBLY  
READY FOR CUSTOM FINISHING  
(PISTON LAUNCHER NOT  
INCLUDED)



BG/RG RAIL ASSEMBLY

MODEL GLR-1 ..COMPLETE  
ASSEMBLY READY FOR  
CUSTOM FINISHING.

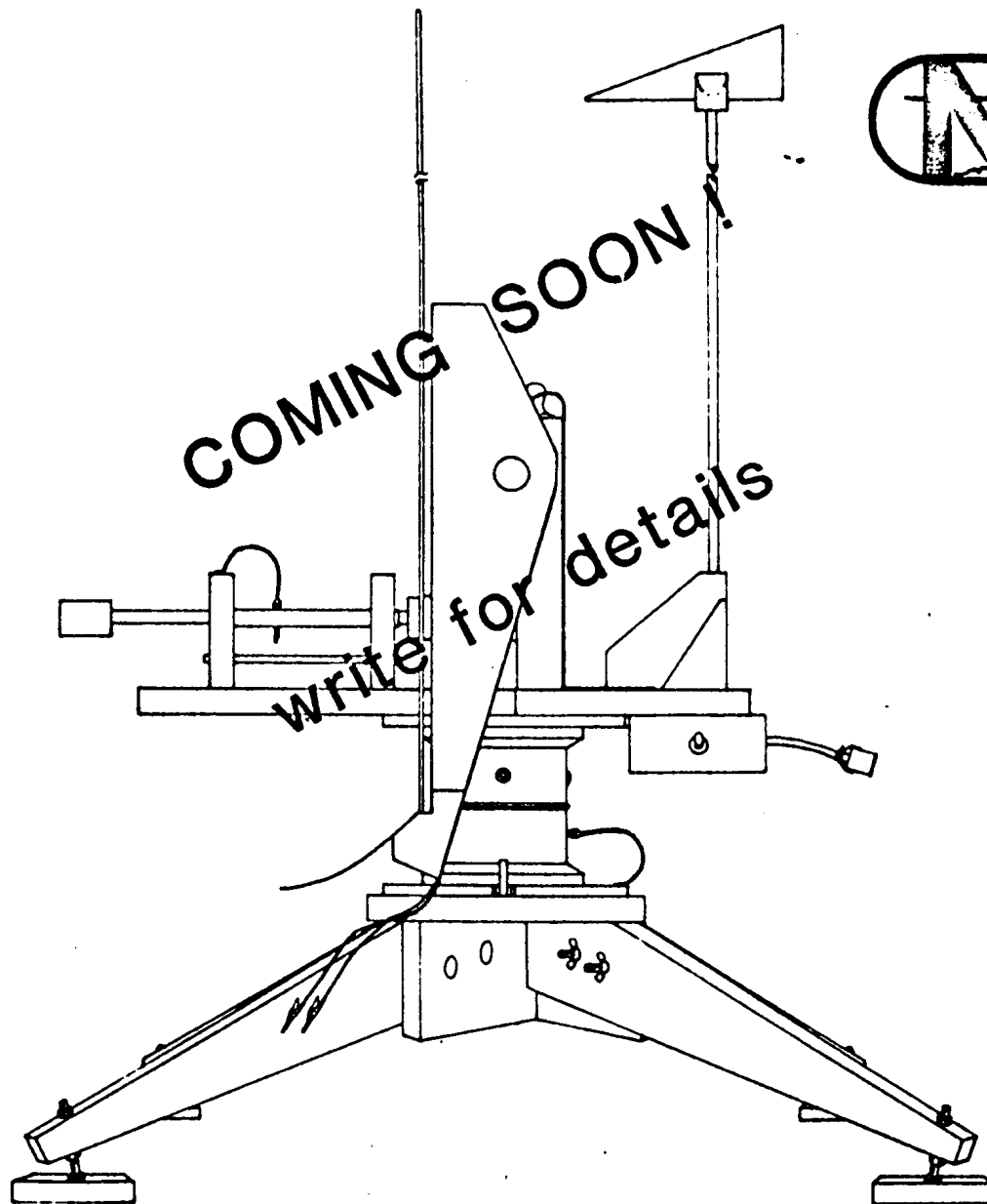
PRICE LIST

<u>MODEL NUMBER</u>	<u>PRICE</u>
SC-1	\$ 34.95
SC-2	20.95
T-1	9.95
SCS-1	6.25
SCB-1	5.25
CLR-1	4.50
PLR-1	3.25
GLR-1	3.75

NOTE: ALL PRICES INCLUDE POSTAGE COSTS FOR SHIPMENTS WITHIN THE CONTINENTAL UNITED STATES. INTERNATIONAL CUSTOMERS PLEASE WRITE FOR SHIPPING INFORMATION.

PAYMENT: PLEASE DO NOT SEND CASH OR STAMPS. USE CHECKS OR MONEY ORDERS FOR FULL PAYMENT, WHICH MUST ACCOMPANY ORDER. C.O.D. REQUESTS WILL BE RETURNED WITHOUT SHIPMENT.

# GEMINI CLASS model rocket launcher



INTRODUCING THE GEMINI CLASS MODEL ROCKET LAUNCH SYSTEM. THE GEMINI CLASS SYSTEM IS A FULLY STEERABLE, ULTRA STABLE, SOLID STATE CONTROLLED, DUAL STATION LAUNCHER. THE GEMINI CLASS LAUNCHER IS PATTERNED AFTER THE U.S. NAVY TERRIER MISSILE SYSTEM. INCLUSION OF BOTH A STANDARD LAUNCH ROD AND A 'C' RAIL ALLOW THE GEMINI CLASS LAUNCHER TO FULFILL A VARIETY OF MODEL ROCKET MISSION REQUIREMENTS. A WIND VANE IS ALSO INCLUDED TO INDICATE SURFACE WIND DIRECTION.

# NOTICE OF RESPONSIBILITY

OUR MODEL ROCKETRY PRODUCTS ARE INTENDED FOR EXPERIMENTAL AND EDUCATIONAL USE. YOU ARE CAUTIONED TO EXERCISE UTMOST CARE IN THE USE OF OUR PRODUCTS. WE DO NOT ACCEPT ANY RESPONSIBILITY FOR ACCIDENTS. USER SHALL DETERMINE THE SUITABILITY OF THE PRODUCT FOR HIS INTENDED USE, AND ASSUME ALL RISK AND LIABILITY IN CONNECTION THEREWITH.

LAUNCH CONTROL ELECTRONICS ARE WARRANTED AGAINST DEFECTS IN PARTS AND WORKMANSHIP FOR 100 DAYS AFTER SHIPMENT. RESPONSIBILITY WILL BE TO REPAIR OR REPLACE UNIT AT OUR DISCRETION.



NOVA RESEARCH ASSOCIATES