

Step 8

Place the tip of the launching rod into the roll pin and slide the blast deflector plate assembly into place as shown.

LAUNCHING with the TILT - A - PAD

Tighten the wing nuts just enough to keep the legs from swinging freely, but leave them loose enough so the position of the legs can be adjusted with light pressure.

Spread the legs out and adjust them so the rod sticks straight up.

Tighten the wing nuts to keep the legs from shifting under pressure.

Put the rocket on the launcher and attach the micro-clips from the electrical system to the igniter.

Give countdown and launch.

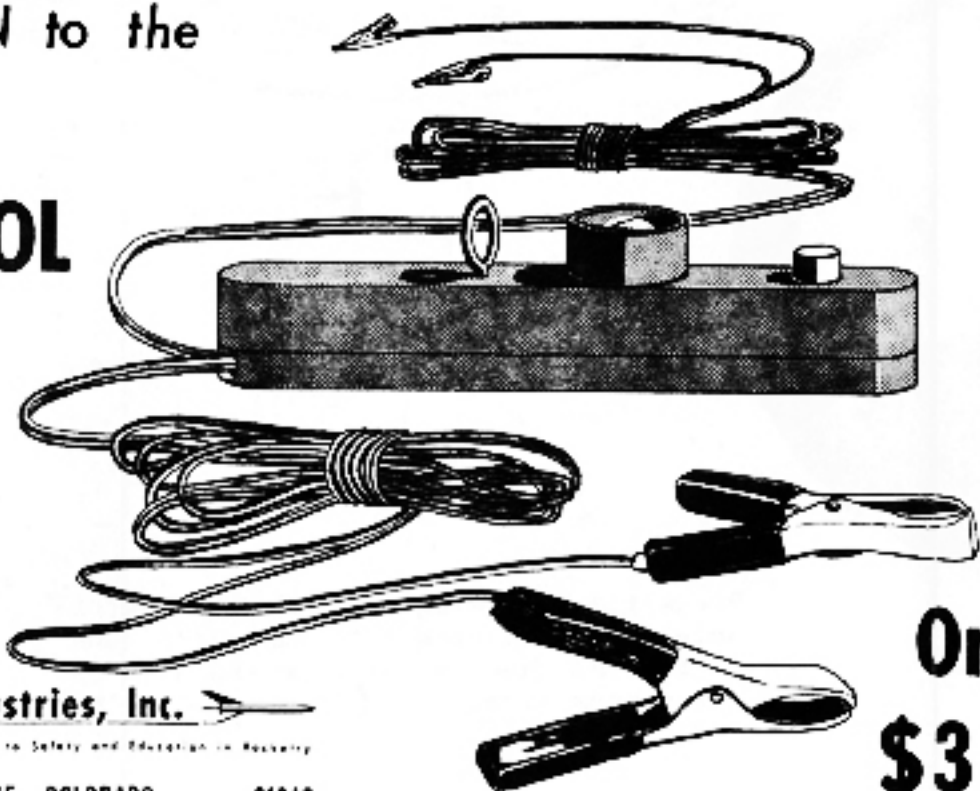
NOTE: Adjust for wind direction and velocity by raising or lowering one or more legs during step 3 above. DO NOT tilt the rod more than 25° from the vertical for launching.

PERFECT COMPANION to the
TILT-A-PAD!
**LAUNCH CONTROL
SYSTEM**

Available for use with either a 6 or 12 volt power supply! Features a safety interlock, continuity check light and push button launching. (Specify voltage when ordering)

See your dealer or order direct from--

ESTES Industries, Inc.
Dedicated to Safety and Education in Rocketry
Box 227 PENROSE, COLORADO 81240



**Only
\$3.00**

For extra fun with your Tilt-A-Pad, hold spot landing contests. Set up a flag or marker a short distance from the launcher and see who can land his model closest to the spot. Let each contestant aim the launcher for himself and launch his rocket, with only the requirements that the launcher is not tilted more than 25° from the vertical and that the model's recovery system deploy at an altitude of 50 feet or more.

TILT-A-PAD

The very BEST...

in
**LAUNCH CONTROL
&
CONVENIENCE**

Use with virtually
any electrical
firing system.

ADJUSTABLE
TO
ANY TERRAIN

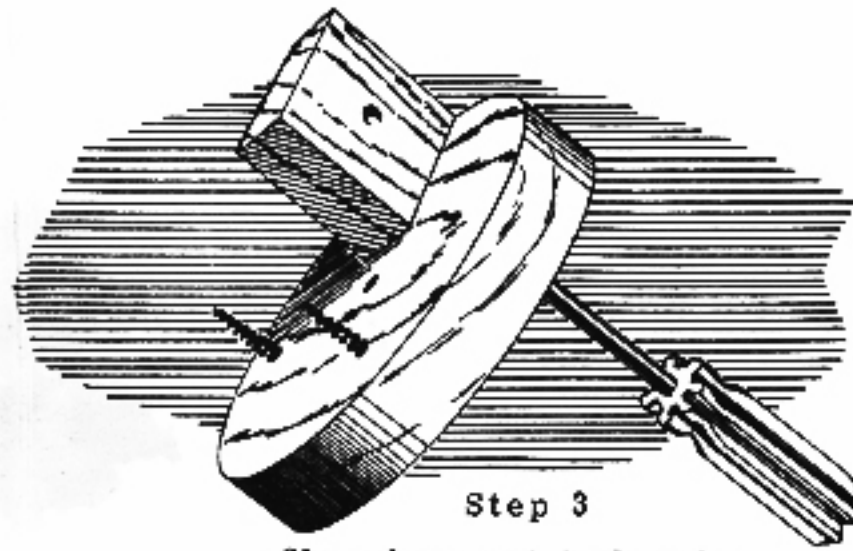
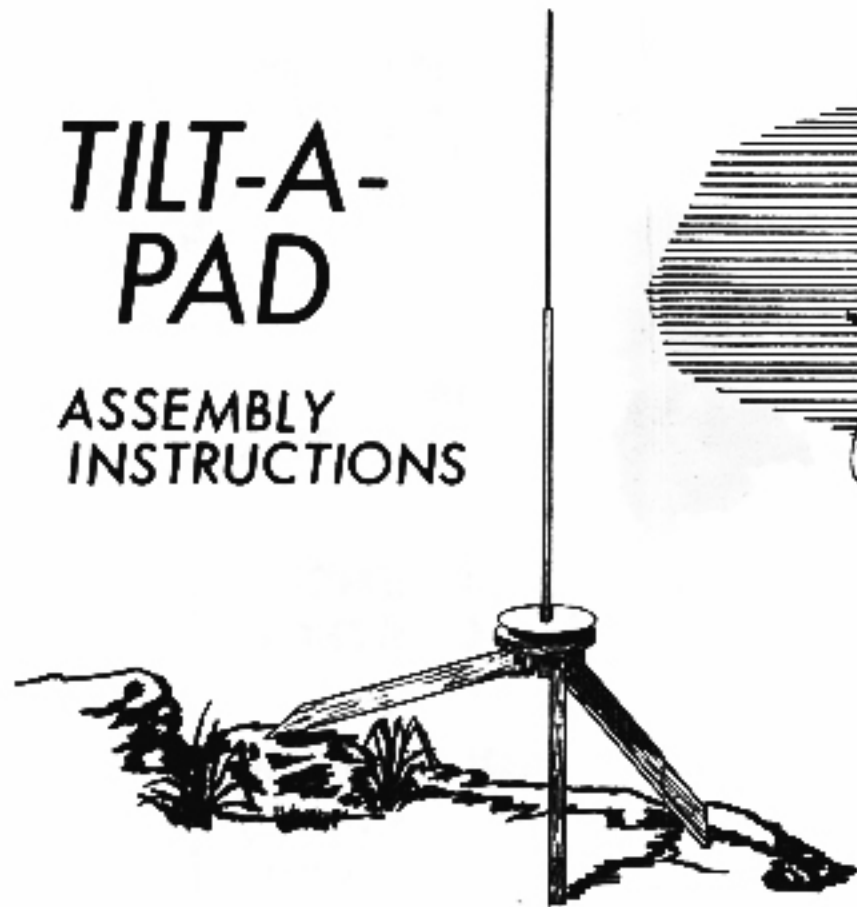


Postpaid
\$1.50
#RL-3

ESTES Industries, Inc.
Dedicated to Safety and Education in Rocketry
Box 227
PENROSE, COLORADO 81240

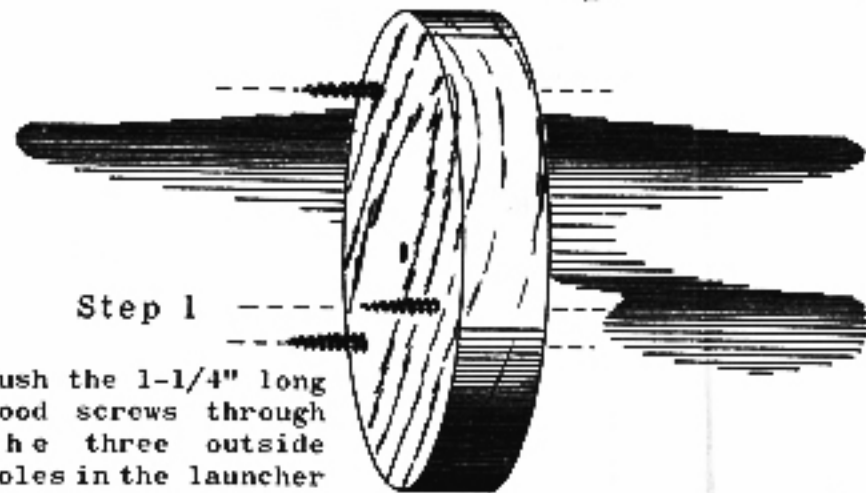
TILT-A-PAD

ASSEMBLY INSTRUCTIONS



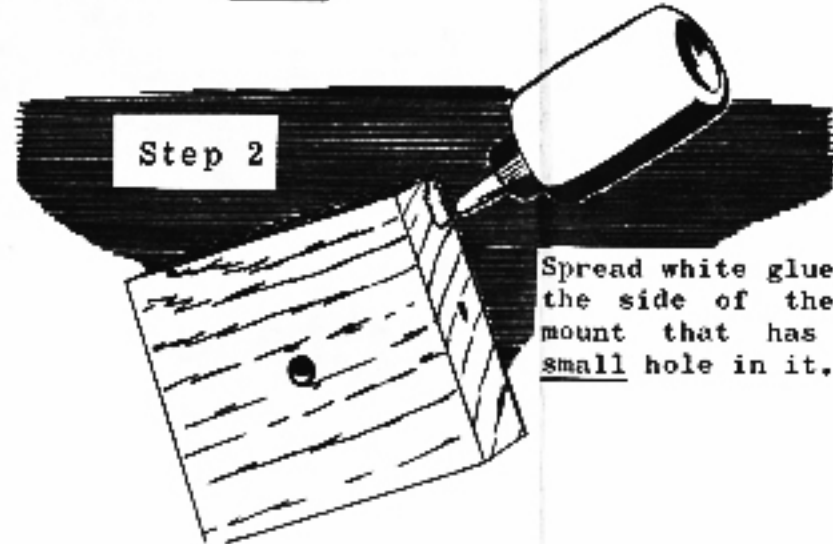
Step 3

Clamp leg mount to launcher top piece by inserting the screw into the small hole and tightening. Make sure the leg mount is aligned to point to the center hole of the top piece as in fig. 4.



Step 1

Push the 1-1/4" long wood screws through the three outside holes in the launcher top piece.



Step 2

Spread white glue over the side of the leg mount that has the small hole in it.

Step 4

Repeat steps 2 and 3 with the remaining two leg mounts.

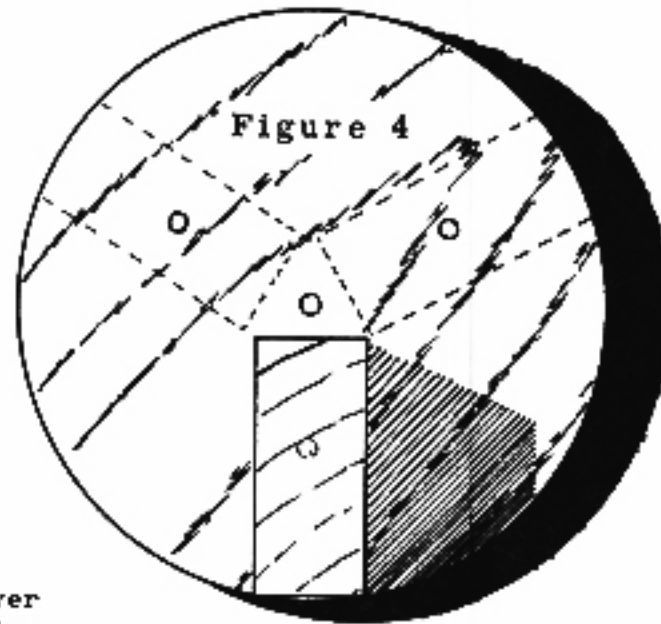
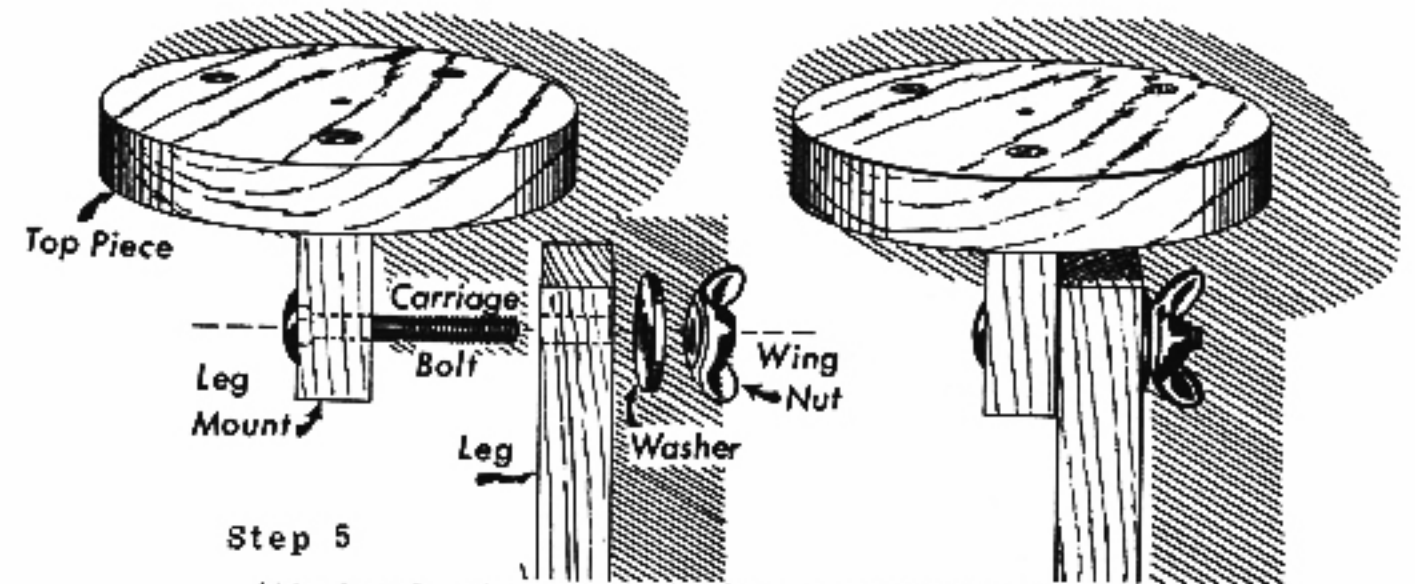
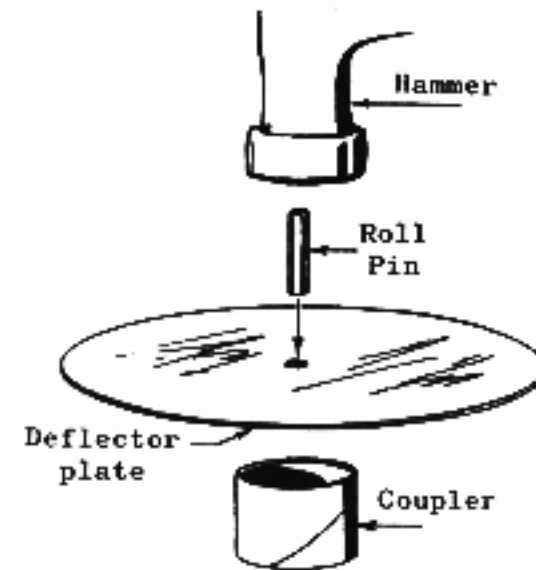


Figure 4



Step 5

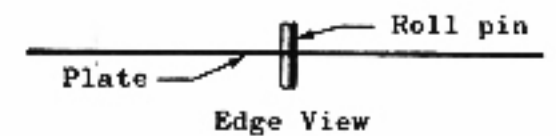
Attach a leg to one of the leg mounts with a carriage bolt, washer, and wing nut as shown. Repeat with the other two legs. Make sure that all legs are attached to the right side of the mount as in the illustration.



Step 7

Press the launching rod into the center hole in the launcher top until the end of the rod just comes thru the hole on the bottom side.

Step 6



Place a coupler on a firm surface and using this as a support for the blast deflector plate, drive the roll pin thru the hole in the center of the plate. The pin should stick half way thru the plate as shown.

