

THE EAGLE

HONORABLE MENTION APRIL 1978
 DESIGN OF THE MONTH CONTEST
 BY LUIS FAMATIGA Los Angeles, CA

SKILL LEVEL 3

PARTS LIST

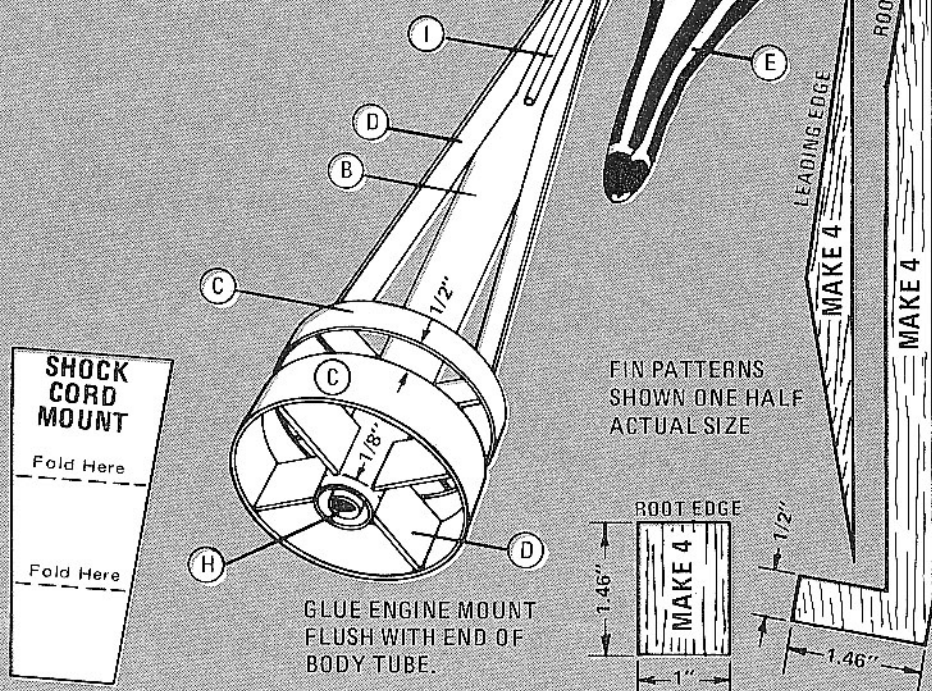
A	1	Nose Cone (type PNC-50Y)	71009
B	1	Body Tube (type BT-50)	3073
C	1	Body Tube (type BT-101)	30438
D	2	Fin Stock (type BFS-30)	32108
E	1	Parachute (type PK-18)	2267
F	1	Screw Eye	2283
G	1	Shock Cord	2276
H	1	Engine Mount (type EH-2050)	3150
I	1	Launch Lug	2321

ADDITIONAL MATERIALS

Hobby knife, white glue, plastic glue, sanding sealer, sandpaper, ruler, and spray paint.

RECOMMENDED ENGINES

A8-3 (First flight) B6-4 C6-5



GLUE ENGINE MOUNT
 FLUSH WITH END OF
 BODY TUBE.

FIN PATTERNS
 SHOWN ONE HALF
 ACTUAL SIZE

