

HAPPY BIRTHDAY

June 28
June Knight

July 6
Connie Fowler

July 2
Marian Law

July 8
Bill Grimshaw

July 4
Darlene Burgner
Barbara Medina

July 10
Rebecca Bueno
Jo Anna Angel



QUIPS & QUOTES

SUPERVISOR: A guy who is always annoying the hired help by asking them to do something.

CLASSIFIEDS

A Free Service
For Employees

Deadline: Tuesday Noon
Before Publication of the Launch Pad

FOR SALE: pink 1957 PONTIAC. In good running condition. See and make an offer by calling 275-2618 or 275-7067.

FOR SALE: Beautiful set of walnut END TABLES with matching COFFEE TABLE. \$25. Call 275-7387 after 4:00.

THE LAUNCH PAD
published bi-weekly
by
ESTES INDUSTRIES
Penrose, Colorado

VOICES FROM THE PAST

'After nine years of faithful service Mary Poppins I, the original nose cone machine, is retiring. Although future circumstances could require that she be pressed back into service, it seems unlikely. So with a touch of nostalgia, those who have built her, operated her . . . and loved her see this day come.

'Mary was brought into this world by Vern in 1959. . . . She was finally fashioned from an old junk lathe, surplus government stuff and a multitude of 'nuts and bolts'.

'Although at times the 'old gal' has suffered from streaks of stubbornness, . . . she has responded to tender loving care by turning out thousands upon thousands of nose cones and adapters.

'May she rust in peace!'

From the June 14, 1968, Launch Pad.



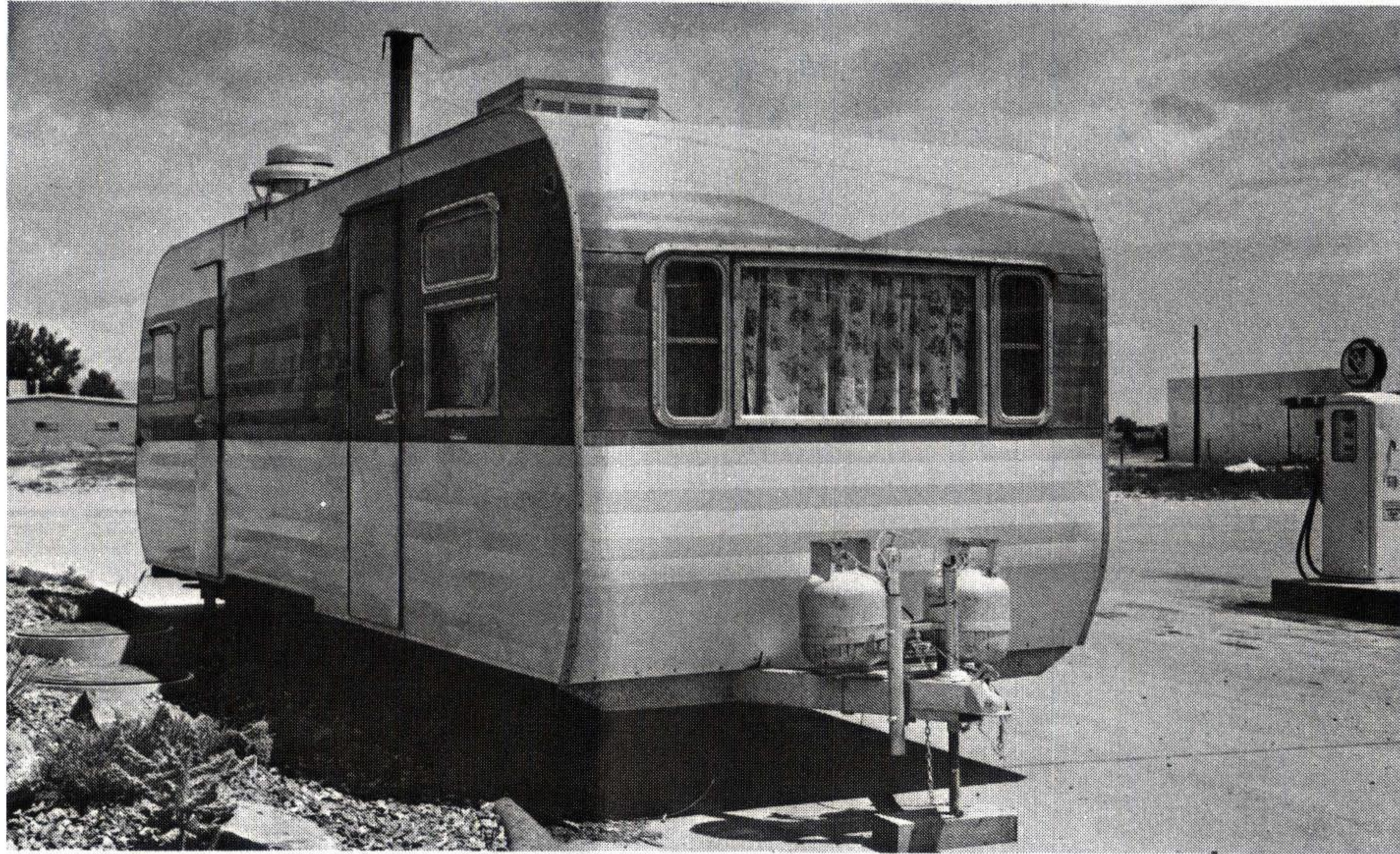
LAUNCH PAD

A SUBSIDIARY OF DAMON

JUNE 26, 1970



HOME COOKED FOOD



Hamburgers frying on a grill . . . hot chicken dinners ready to be served . . . fresh, homemade pie . . . the tempting aroma of great food. Doesn't that sound so much more delicious than the dry, stale sandwiches that the lunch box usually contains?

Monday morning a trial hot meal service will go into effect for Estes employees. The company has reached an agreement with Avis Capraro, former owner of the El Charro. Avis' Constellation Galley will be open to serve all Estes employees at discount prices. Visitors to the "Model Rocket Capital" will be able to purchase sandwiches and dinners at the regular price.

The Galley will be situated between the main building and the warehouse. It will be open for service from 11:00 a.m. to 1:00 p.m. for the first shift; the second shift can pick up meals between 7:00 p.m. and 9:30 p.m.; 2:00 a.m. to 3:00 a.m. are the hours for the third shift. Avis will be available to accept orders 30 minutes before the Galley opens.

To help make this a successful

experiment, it will be necessary for us to follow certain procedures.

1. Since many employees do not have access to a phone during work hours, all meal orders within a department or work area should be given to the individual assigned by the department supervisor. By using this method of ordering, Avis and her crew will not have to answer the phone so frequently and can spend more time cooking. It will also aid the departments in maintaining a smooth work schedule.
2. All orders should be placed with Avis at ext. 240 at least 30 minutes before they are needed. An exact pick-up time should be specified so that the orders will be ready by the start of the lunch period.
3. Always be sure to identify yourself as a company employee to receive the discount prices.
4. The individual employee's name should be given with each order to help eliminate mix-ups.
5. More detailed information on placing, handling and payment

(continued on Page 3)

(continued from Page 2)

of orders will be given on Monday by the Personnel Department.

As an additional convenience relishes, catsup and mustard will be available in all the lunch rooms.

The opportunity to have hot lunches available for all three shifts is unprecedented at Estes. The company sincerely hopes this new

employee benefit will help to make the lunch period a more pleasant part of the day.

During this trial period, let's do our best to support Avis' venture and make the Galley a permanent part of the Estes plant.

"Hello, Avis. . . . I have an order for you from the Personnel Department to be ready at 11:30"

COMPUTERIZED PAYCHECKS

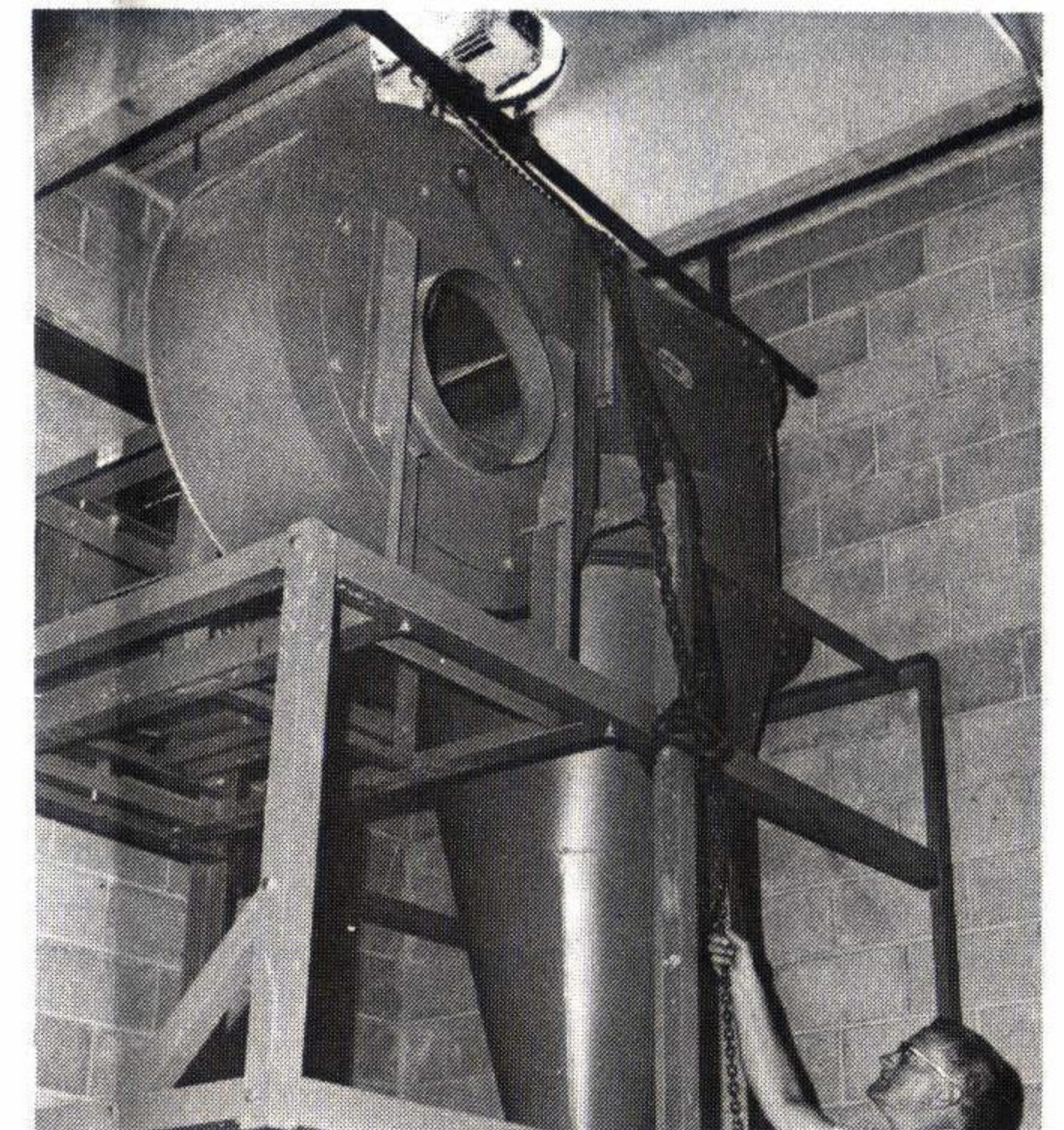
EMPLOYEE NUMBER			PERIOD ENDING			CHECK NO. 000102		
HOURS			EARNINGS					
REGULAR	OVERTIME	TOTAL	REGULAR	OVERTIME	PAY ADJUST	VACATION		GROSS PAY
DEDUCTIONS								NET PAY
SINGLE FUND	UNIFORM	GROUP INS.	MISC. #1	MISC. #2	KEY DEPOSIT			
F.I.C.A.			FED. TAX			STATE TAX		
YEAR TO DATE			TOTAL EARNING			STATEMENT OF EARNINGS AND DEDUCTIONS. DETACH AND RETAIN FOR YOUR RECORDS.		

The pay checks are going to the computers. With our new pay checks, additional information will be provided to help you keep your records accurate. Notice the shaded area of the diagram. Here the total amounts earned and deductions made for the year will be indicated. The rest of the check is the same as it has always been.

Although the computer will not hasten payday, it will provide a new system of information for the employees.

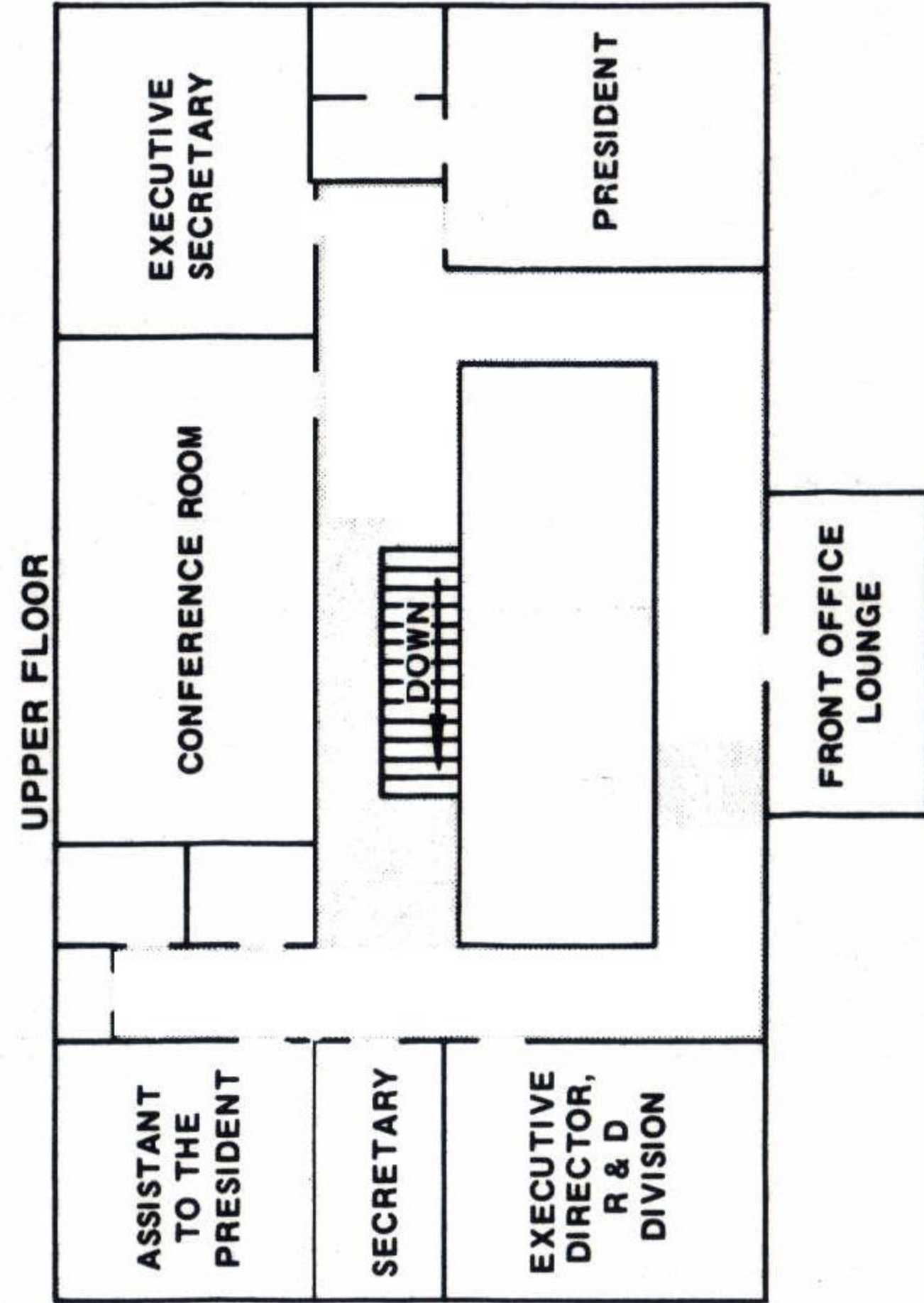
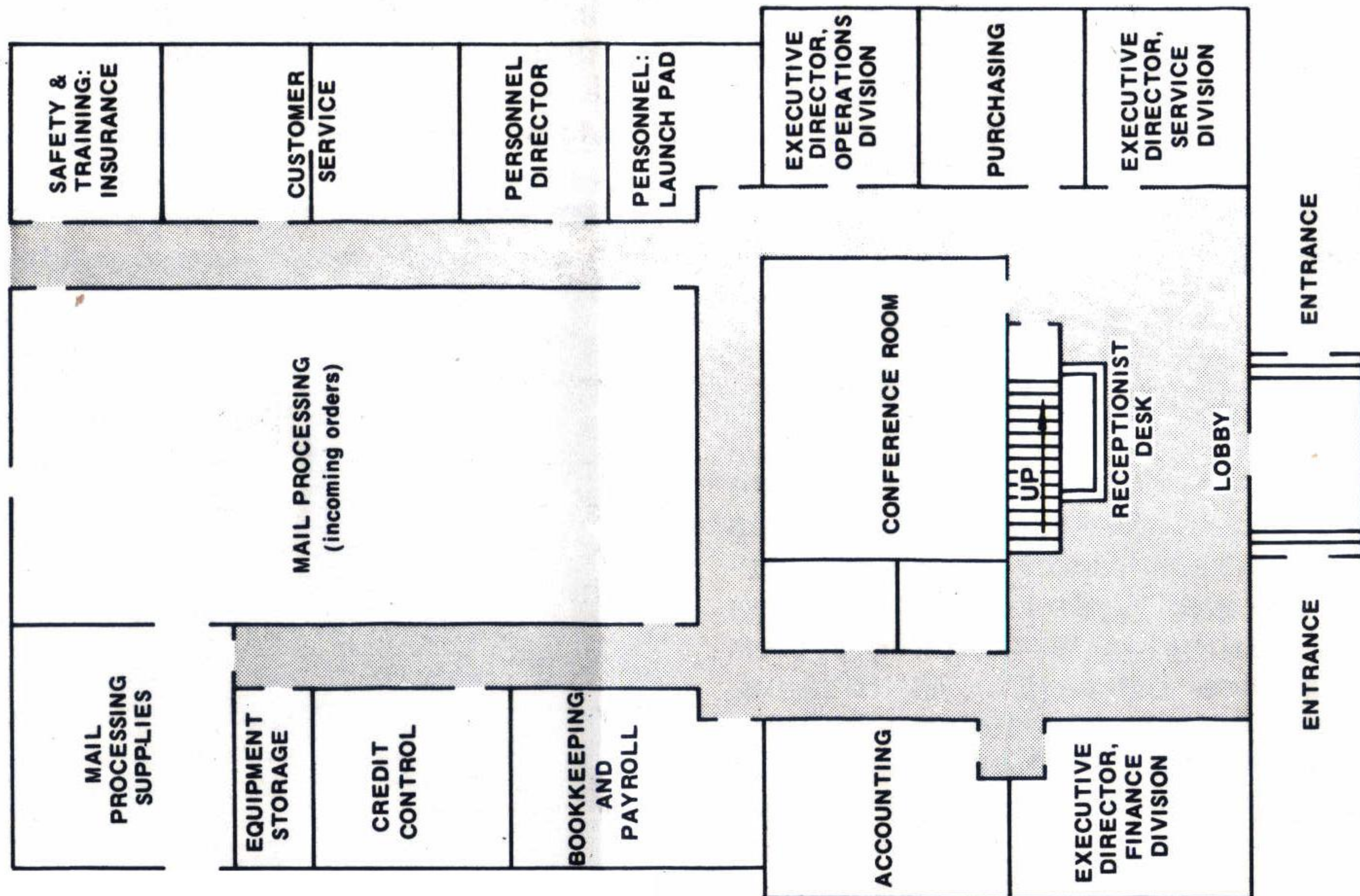
MODERN EQUIPMENT INSTALLED

Air pollution and safety are problems in every industry. To help keep our atmosphere clean and protect the employees, Estes Industries is installing an air filtering system in the new building. J. B. Nickels, shown in picture, is helping to hoist a major part of the machinery in place. Duct work extending from this gathering unit will collect sawdust from all the wood working equipment. Storage bins will keep the sawdust from scattering until it is destroyed.



OFFICES MOVED

The expansion of the company has been felt in every part of the plant, including the offices in the main building. To ease the situation, J. B. Nickels and his crew recently began to remodel and redecorate. At last the work is finished. With the aid of John Hood and his helpers, the gigantic task of shuffling desks and installing office equipment has also been successfully completed. The floor plan provides an up-to-date picture of the location of the office staff.



WELCOME



NEW EMPLOYEES

The doors have opened wide for our new co-workers in the plant as they receive an old-fashioned welcome.

Larry Renger, originally from Pasadena, California, has brought his talents to the R & D Division. Archery, photography and model rocketry are Larry's favorite activities. Presently he and his wife are searching for a home in Canon City.

A Canon City resident, Harry

Smoot has received a big welcome to the third shift in Engine Manufacturing. During his hours off work Harry enjoys collecting Indian relics and painting with oils.

Dancing and listening to western music are Betty Berry's preferences for relaxation. Originally from Westcliffe, Betty has lived in Canon City three months. She will be working on the second shift in the Wood Shop.

weddings



Susan Graves on the first shift in Kit Packing is the radiant bride of Ronnie Sprague. Married May 2 in the First Christian Church, the couple will make Canon City their home after Ronnie's discharge from the U.S. Navy.

On June 7 in the First Christian Church, Fay Auxier became the bride of Stan Skerjanec. Fay, who works on the first shift in the Mailroom, and Stan, an employee of Neihans Store in Penrose, are making their new home in Canon City.

Our best wishes to the happy couples.

W H O, S O H O



MARTHA SCHUMACHER

It was a perfect night for Halloween. Fingers of clouds touched the moon causing shadows to fall across the earth. The main Estes building, not yet completed, remained a dark hulking shadow against the horizon.

Down the road at the building that now houses Kit Packing, lighted windows smiled into the chilly night. However, the goblins of Halloween had plans for the inhabitants. A short figure in a large bulky coat slipped to the door of the building. A quick glance around indicated that no one else was outside.

Rapidly turning the door knob, the figure pushed, throwing the door open with a bang. "Trick or Treat". The shout rang out. It took the startled workers several moments to recognize the goblin as Martha Schumacher, who now works in Shipping. As a happy change from tradition, Martha treated all her co-workers to candy.

Martha started working on the second shift at Estes in March 1967. At that time Kit Packing and Shipping were still one department. For a while tubing the engines was her

major occupation. After a few months she became the stocker, keeping supply bins filled for the shippers. When the departments were divided, Martha received her own shipping booth and is now an expert at filling rocketeer orders.

Martha is always on the go. Before work each day, she cares for her home and can frequently be found at the park in Florence with the four Schumacher children: Cindy, Kathy, Tommy and Pebbles.

The Estes policy of paid holidays is the biggest benefit for Martha and her family. Since Ernie, Martha's husband, works during the day at CF&I and Martha works the second shift at Estes, they find little opportunity to be together. The family enjoys every moment of the holidays and weekends that they have.

"Some of the stunts I have pulled here," Martha said while talking about Estes, "were really embarrassing at the time. But I really enjoy my work and the people I work with."

CONGRATULATIONS

The cigars were passed around in Engine Manufacturing when Dennis Hines became the proud papa of a baby boy on June 1. Named Dennis Earl Hines, Jr. the baby weighed 5 lbs. 13 oz. Two pleased grandparents are Rich Wolf, also in Engine Manufacturing, and Doris Wolf, who works in Shipping.



A crisp \$10 bill will soon be awarded to the winner of the NAME-THE-BUILDING contest.

The large structure now under construction is designed to house Kit Packing and the Wood Shop. To make it easier to identify, the building needs a name. What would you call it? If you have a suggestion, send it to the Launch Pad office soon. The contest ends at 5:00 P.M. July 1.

Remember, you can't win if you don't submit an entry. Enter your suggestion NOW!



PROBLEMS OF A ROCKETEER

Terrain can be a special problem in retrieving rockets. One enthusiastic rocketeer in the Canal Zone of Panama added this comment to the picture he sent us of one of his rocket launches:

"I no longer have this rocket. I lost it somewhere at the end of this field. (In a bunch of tall trees in the middle of a swamp.)"

MORE CLASSIFIEDS

FOR SALE: 1963 12 x 55 Continental Citation Mobile Home, 2 bedrooms, front kitchen, nylon carpet throughout, air cooler, storm windows, 8 x 25 factory built awning, aluminum under-skirting. \$4500.00. Stagecoach Park, sp. 2, Canon City, 2147 East Central, phone 275-7050.

FOR RENT: 2 bedroom duplex in Florence. Contact Verna McCallister at 784-6248 after 4:30.

"EXPERT AT YARD-WORK" Mowing, trimming, cleaning, etc. Call Dave at 784-3921. In and around Florence.