

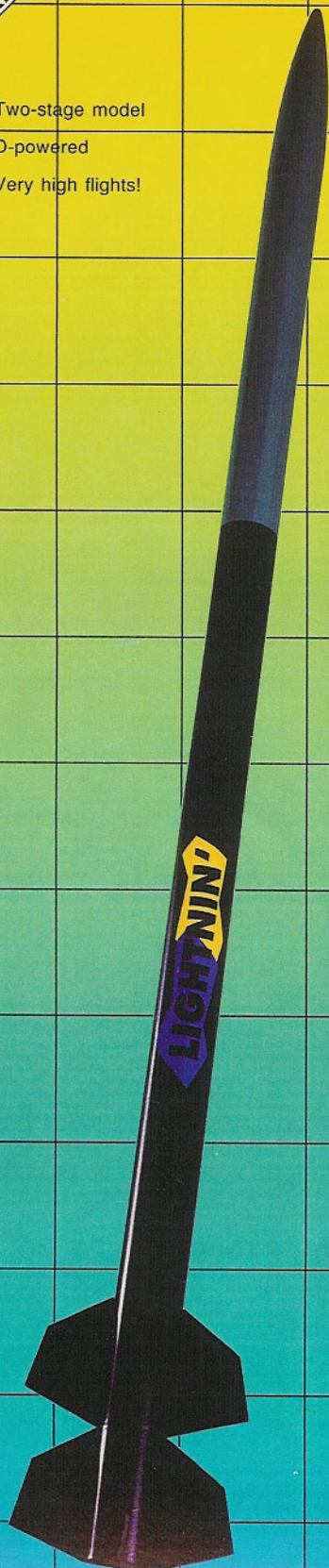
T.M.

Lightnin'

Flying Model Rocket

3
Skill Level

- Two-stage model
- D-powered
- Very high flights!



Length 46" (116.8cm)
 Dia.: 1.637" (41.6mm)
 Wt.: 3.8 oz (109g)
 Engines:
 Single Stage: D12-5
 Upper Stage: D12-7
 Booster: D12-0

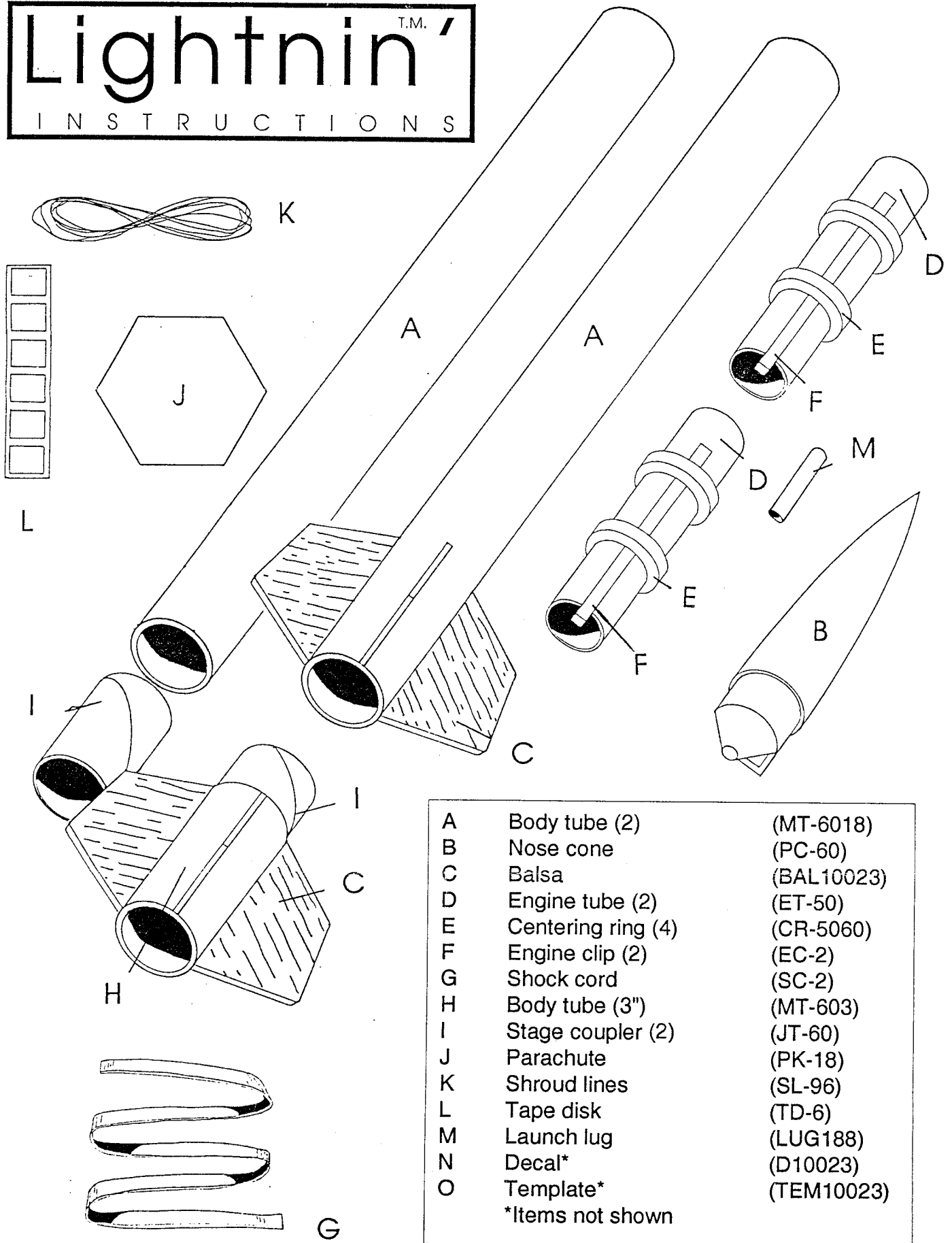


CUSTOM

Product No. 10023

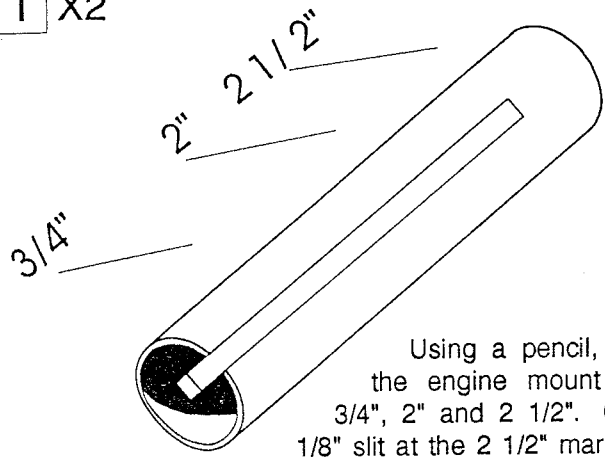
Lightnin^{T.M.}

I N S T R U C T I O N S



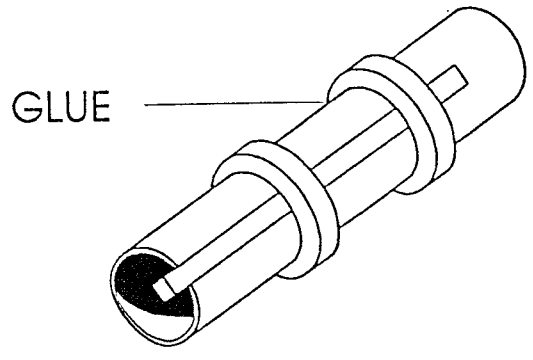
- | | | |
|---|--------------------|------------|
| A | Body tube (2) | (MT-6018) |
| B | Nose cone | (PC-60) |
| C | Balsa | (BAL10023) |
| D | Engine tube (2) | (ET-50) |
| E | Centering ring (4) | (CR-5060) |
| F | Engine clip (2) | (EC-2) |
| G | Shock cord | (SC-2) |
| H | Body tube (3") | (MT-603) |
| I | Stage coupler (2) | (JT-60) |
| J | Parachute | (PK-18) |
| K | Shroud lines | (SL-96) |
| L | Tape disk | (TD-6) |
| M | Launch lug | (LUG188) |
| N | Decal* | (D10023) |
| O | Template* | (TEM10023) |
| | *Items not shown | |

1 X2



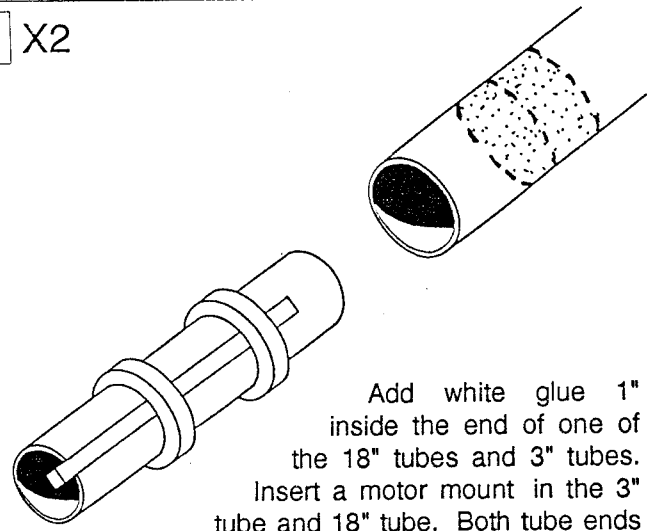
Using a pencil, mark the engine mount tube 3/4", 2" and 2 1/2". Cut a 1/8" slit at the 2 1/2" mark and insert the engine clip into the slot. Take the centering rings and slide them onto the tube at the 3/4" and 2" marks.

2 X2



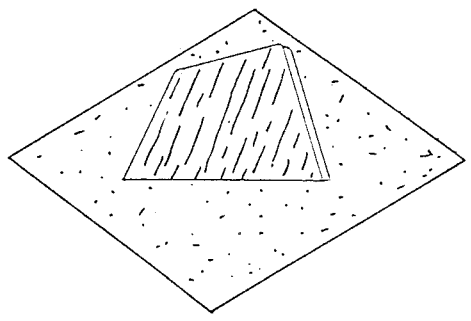
Apply white glue to the joints on all of the rings. Let this motor mount completely dry before going to the next step. It's very important not to rush this step!

3 X2



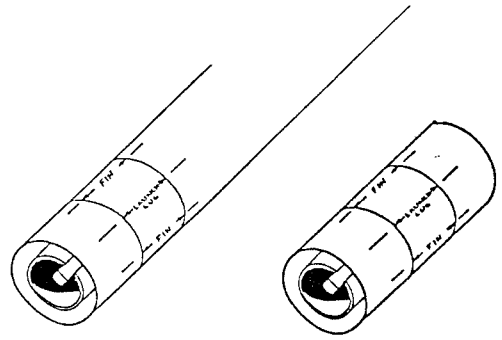
Add white glue 1" inside the end of one of the 18" tubes and 3" tubes. Insert a motor mount in the 3" tube and 18" tube. Both tube ends should be even.

4



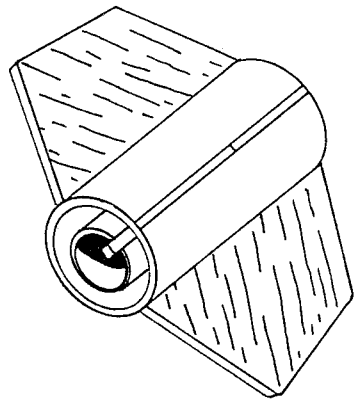
Cut and sand the balsa with fine sandpaper.

5



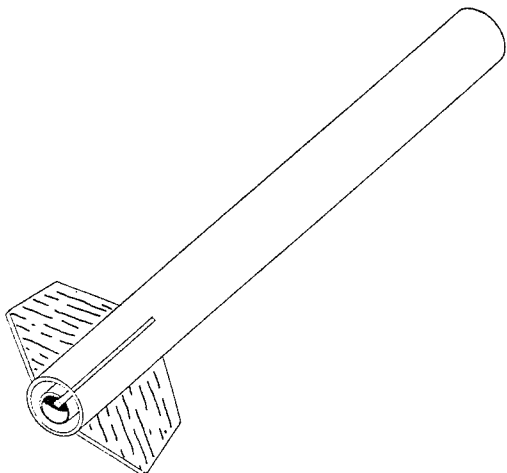
Wrap the fin template guide around both body tubes. Use a pencil and mark the fin and launch lug locations. Notice where the engine clips are in the drawing.

6



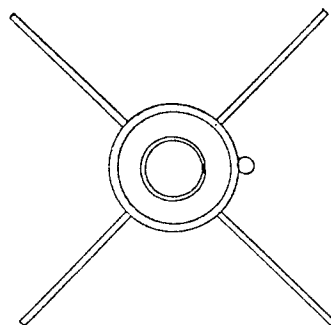
With white glue, glue the four fins to the template marks on the short tube. Wait for each fin to dry before applying the next.

7



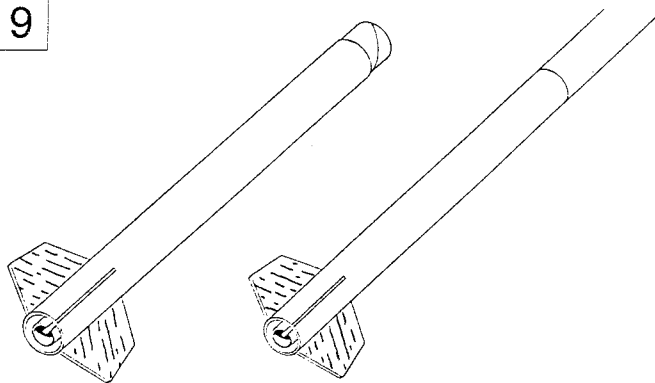
With white glue, glue the four fins to the template marks on the long tube. Wait for each fin to dry before applying the next.

8



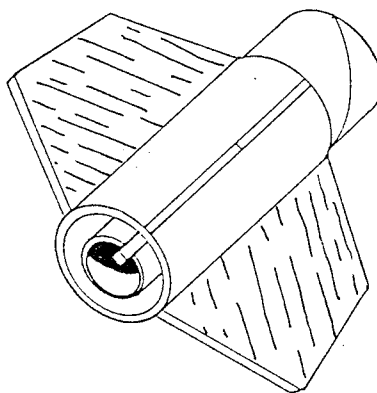
This is how the end view should look.

9



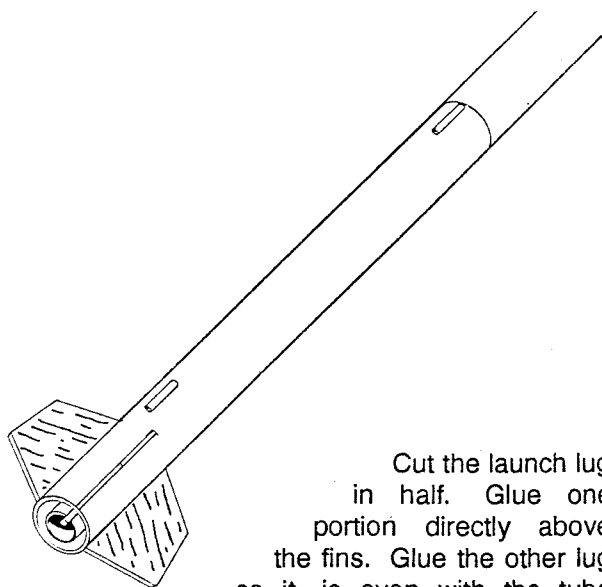
Glue the stage coupler to the end of the long body tube. Only half the stage coupler should be showing. Spread white glue inside the end of the other long body tube and join the tubes.

10



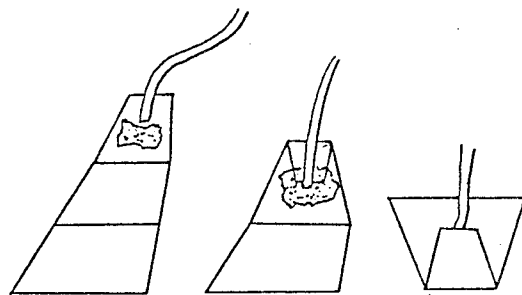
Glue the stage coupler to the inside of the short body tube. Only half the stage coupler should be showing.

11



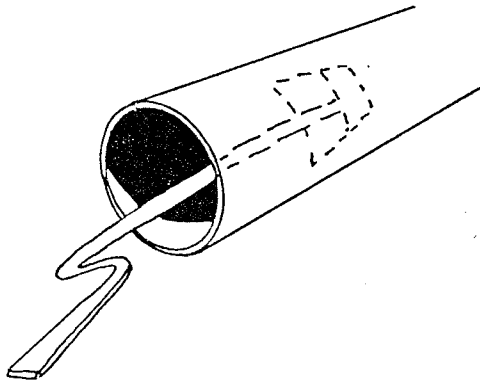
Cut the launch lug in half. Glue one portion directly above the fins. Glue the other lug so it is even with the tube joint.

12



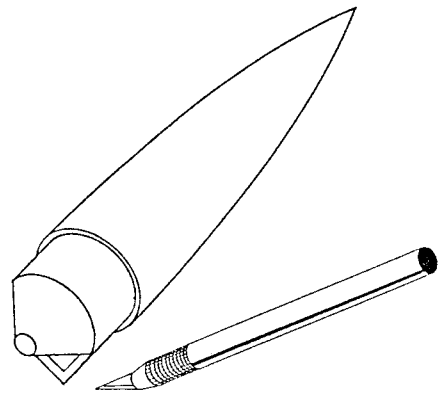
A. Cut out the shock cord mount and apply glue to section 1. Lay the end of the shock cord into the glue.
 B. Fold section 1 at the fold line and squeeze with your fingers.
 C. Apply glue to the back of section 1 and fold to section 3. Put complete assembly under a heavy object.

13



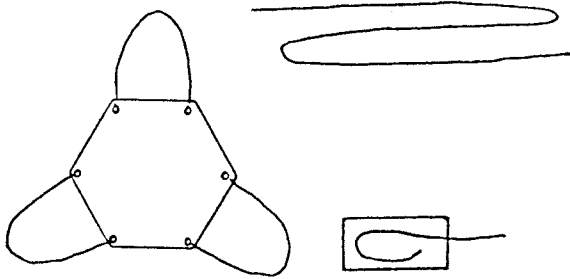
Glue the shock cord mount inside the front of the body tube 1" from the end. Hold the mount until it dries.

14



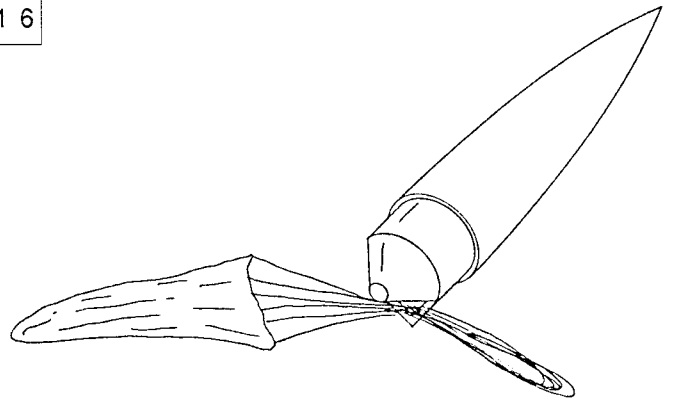
With a razor blade or hobby knife, clear the excess plastic from the screw eye.

15



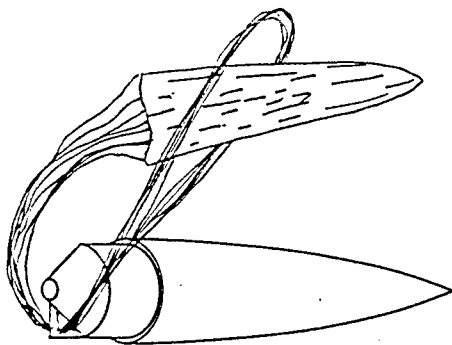
- A Cut the shroud line into three equal parts.
- B Attach the end of the shrouds to the tape disks.
- C Tape the disks to the parachute as shown.

16



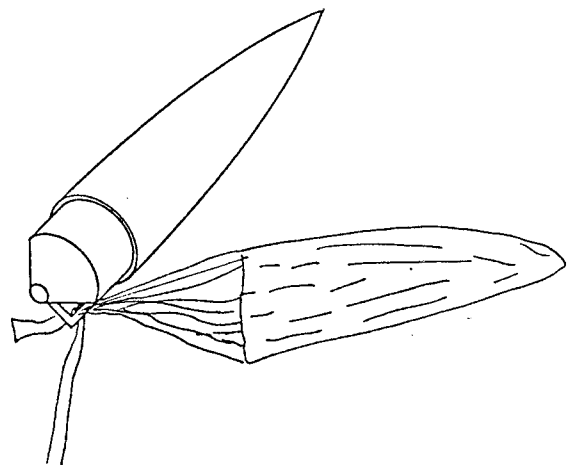
Thread the shroud line loops through the screw eye.

17



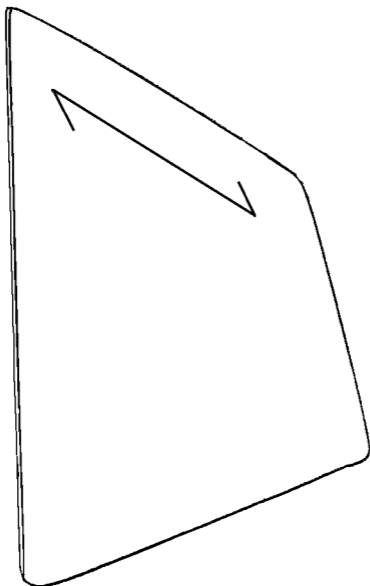
Take the loop ends and pass the parachute through. Pull the parachute tight.

18



Tie the end of the shock cord to the screw eye.

Ticks show 1 inch spacings



Custom Lightnin' kit 10023
Fin Template for both stages
Make 8 From 3/32" balsa



LICHTNIN!

LICHTNIN!

D0269