

# Serval

## Flying Model Rocket

**2**  
Skill Level

- Uses "TUBE FINs"
- Quick assembly
- Metallic streamer

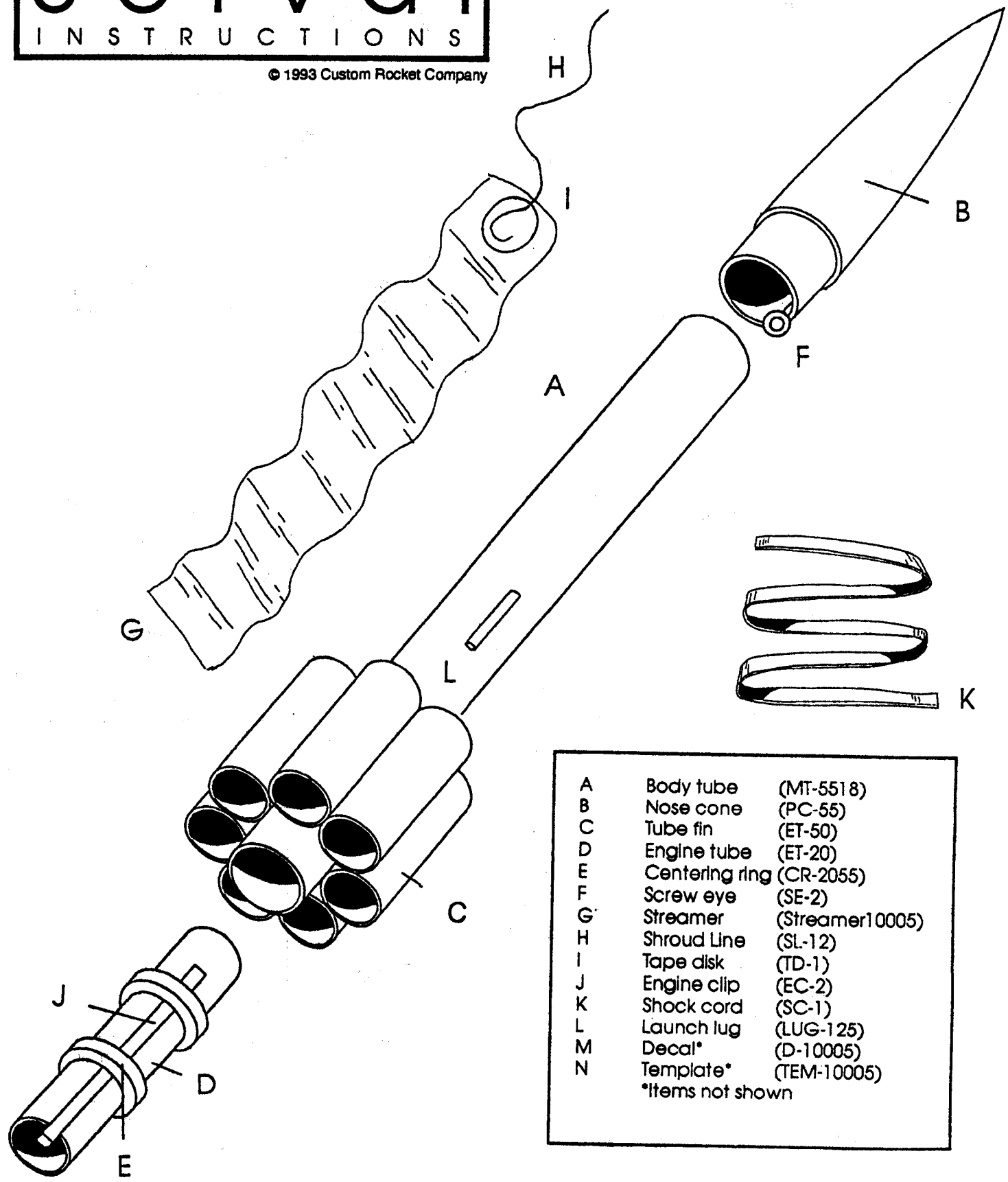
Serval



# Serval<sup>T.M.</sup>

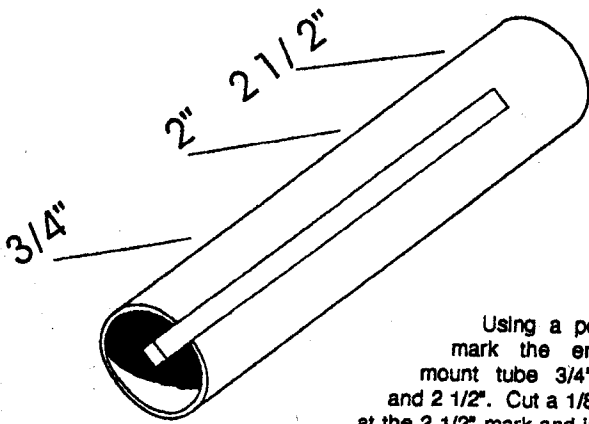
INSTRUCTIONS

© 1993 Custom Rocket Company



A	Body tube	(MT-5518)
B	Nose cone	(PC-55)
C	Tube fin	(ET-50)
D	Engine tube	(ET-20)
E	Centering ring	(CR-2055)
F	Screw eye	(SE-2)
G	Streamer	(Streamer10005)
H	Shroud Line	(SL-12)
I	Tape disk	(TD-1)
J	Engine clip	(EC-2)
K	Shock cord	(SC-1)
L	Launch lug	(LUG-125)
M	Decal*	(D-10005)
N	Template*	(TEM-10005)
*Items not shown		

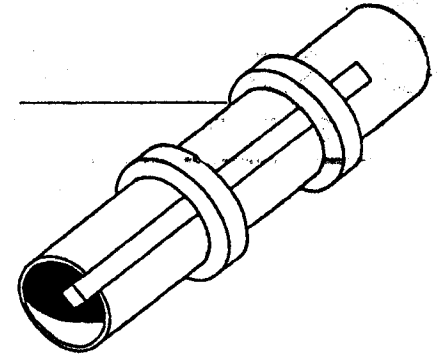
1



Using a pencil, mark the engine mount tube 3/4", 2" and 2 1/2". Cut a 1/8" slit at the 2 1/2" mark and insert the engine clip into the slot. Take the centering rings and slide them into the tube at the 3/4" and 2" marks

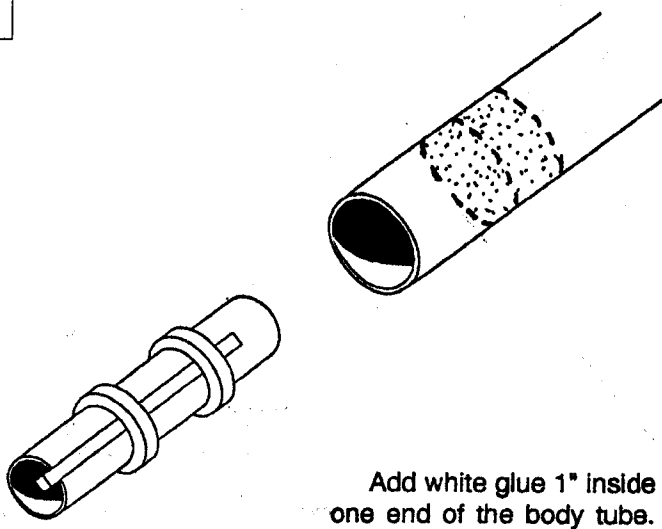
2

GLUE



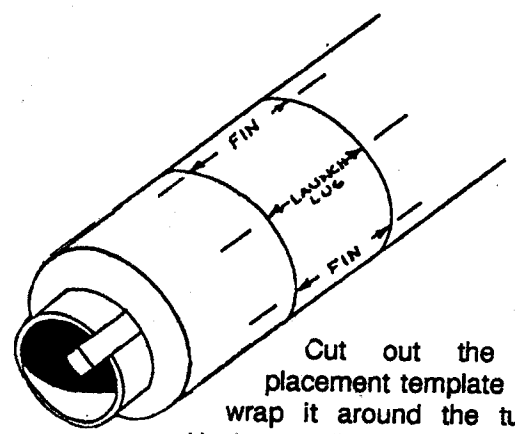
Apply white glue to the joints on all of the rings. Let this motor mount completely dry before going to the next step. It's very important not to rush this step!

3



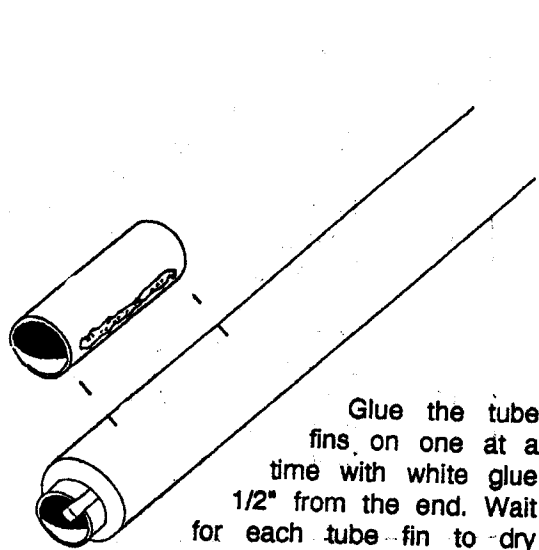
Add white glue 1" inside one end of the body tube. Insert the motor mount until both tube ends are flush.

4



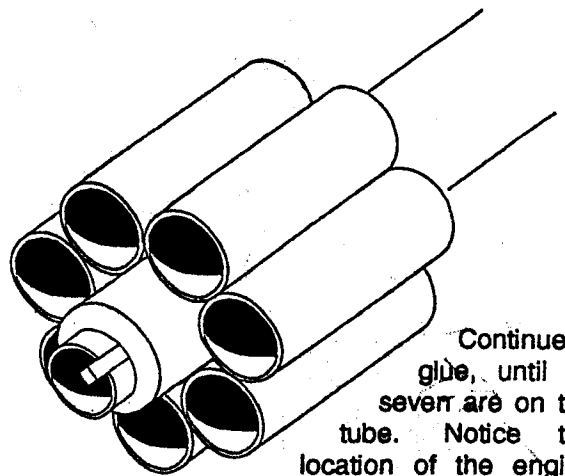
Cut out the fin placement template and wrap it around the tube. Use a pencil and mark the fin and launch lug locations. Notice where the engine clip is in the drawing.

5



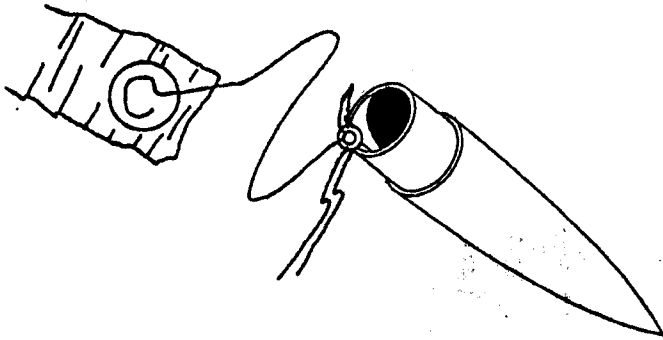
Glue the tube fins on one at a time with white glue 1/2" from the end. Wait for each tube fin to dry before applying the next tube fin.

6



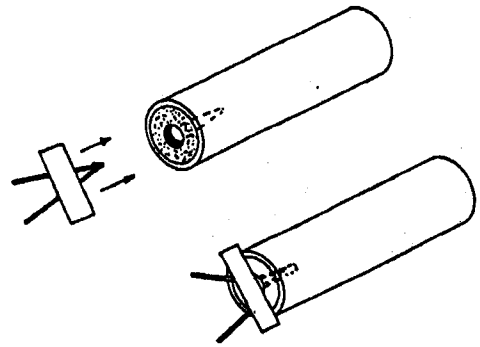
Continue to glue, until all sever are on the tube. Notice the location of the engine clip. You should have a small gap left over between the tube fins. This gap will allow room for the launch lug.

13



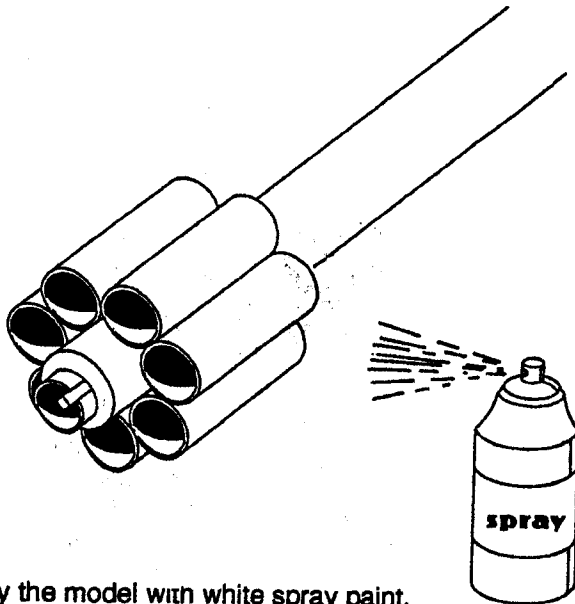
Tape the end of the shroud line to the streamers and tie the other end of the shroud line to the screw eye.

A



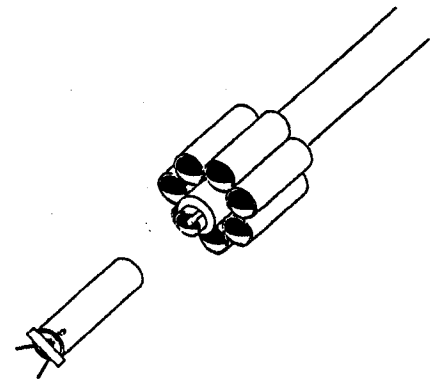
Select a regular size model rocket engine (use A8-3 for your first flight) and install the igniter.

14



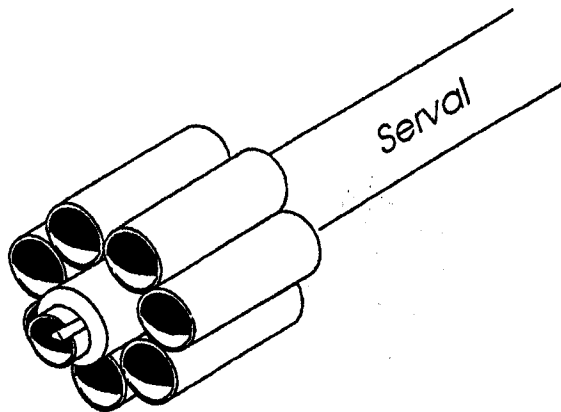
Spray the model with white spray paint.

B



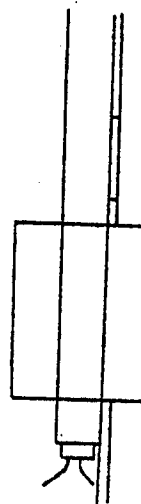
Slide the engine all the way into the rocket until the engine clip catches the engine.

15



Apply the decals by dipping them in lukewarm water for 30 seconds and then slide them onto the model. Blot away any air bubbles or water with a piece of toilet paper.

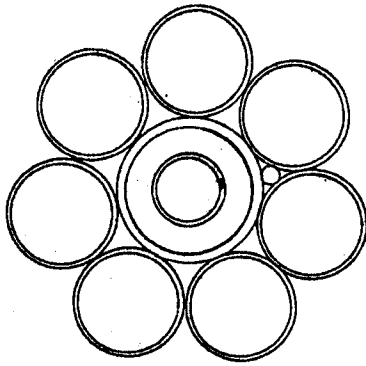
C



Select an open field at least the size of a football field. Set up your launcher (not supplied) and slide the rocket over the launch rod.

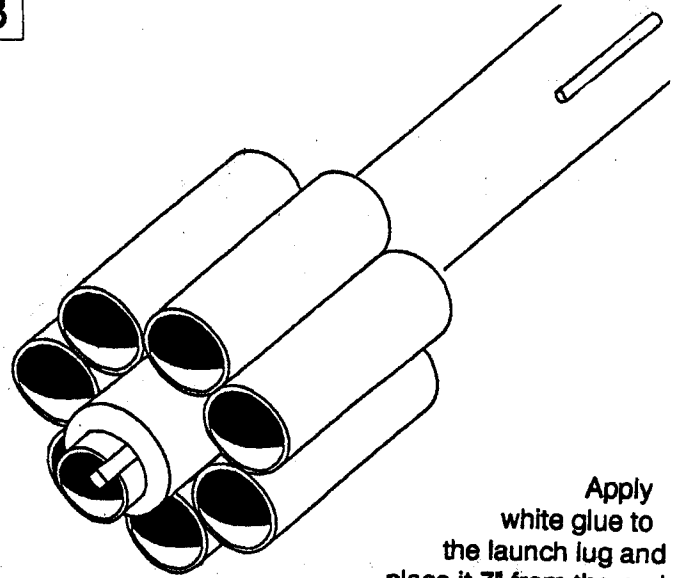
Hook up the micro clips, making sure they don't touch themselves, or the blast deflector. Stand back 15 feet and your ready to launch.

7



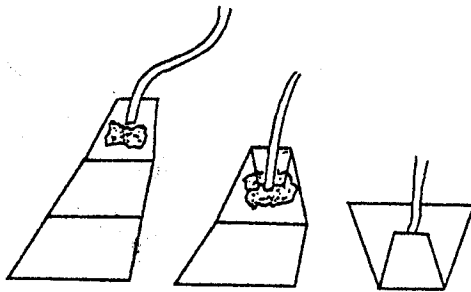
This is how the end view should look.

8



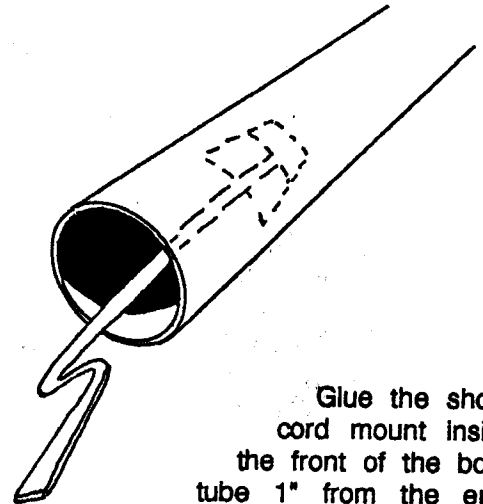
Apply white glue to the launch lug and place it 7" from the end

9



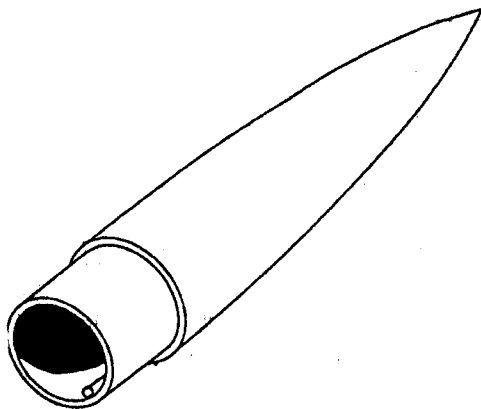
A. Cut out the shock cord mount and apply glue to section 1. Lay the end of the shock cord into the glue.  
 B. Fold section 1 at the fold line and squeeze with your fingers.  
 C. Apply glue to the back of section 1 and fold to section 3. Put complete assembly under a heavy object.

10



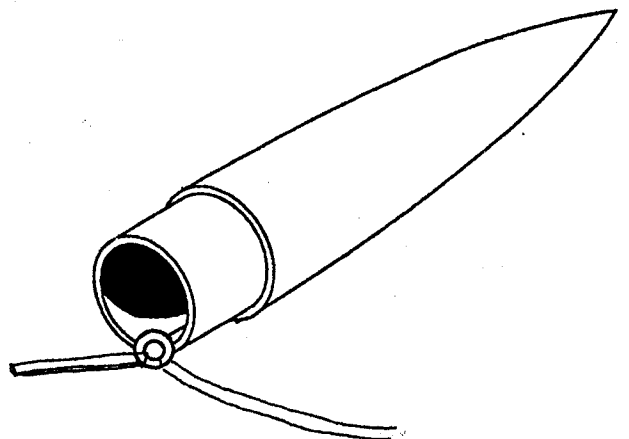
Glue the shock cord mount inside the front of the body tube 1" from the end. Hold the mount until it dries.

11



Insert the screw eye into the nose cone.

12



Tie the end of the shock cord to the screw eye.

# Serval



TUBE
TUBE
TUBE
TUBE
TUBE
TUBE
TUBE
<b>OVERLAP</b>

<b>CUSTOM</b> Shock Cord Mount
<b>3</b>
<b>2</b>
<b>1</b>

**TEMPLATE**  
SERVAL

