

Avatar

T.M.

Flying Model Rocket

1
Skill Level



Length 10.45" (26.5cm)
Dia.: 0.736" (18.7mm)
Wt.: 0.4 oz (10g)
Engines: 1/2 A6-2, A8-3,
A8-5, B4-4, B4-6, B6-4, B6-6,
B8-5, C6-5, C6-7
Product No. 10004

T.M.

CUSTOM



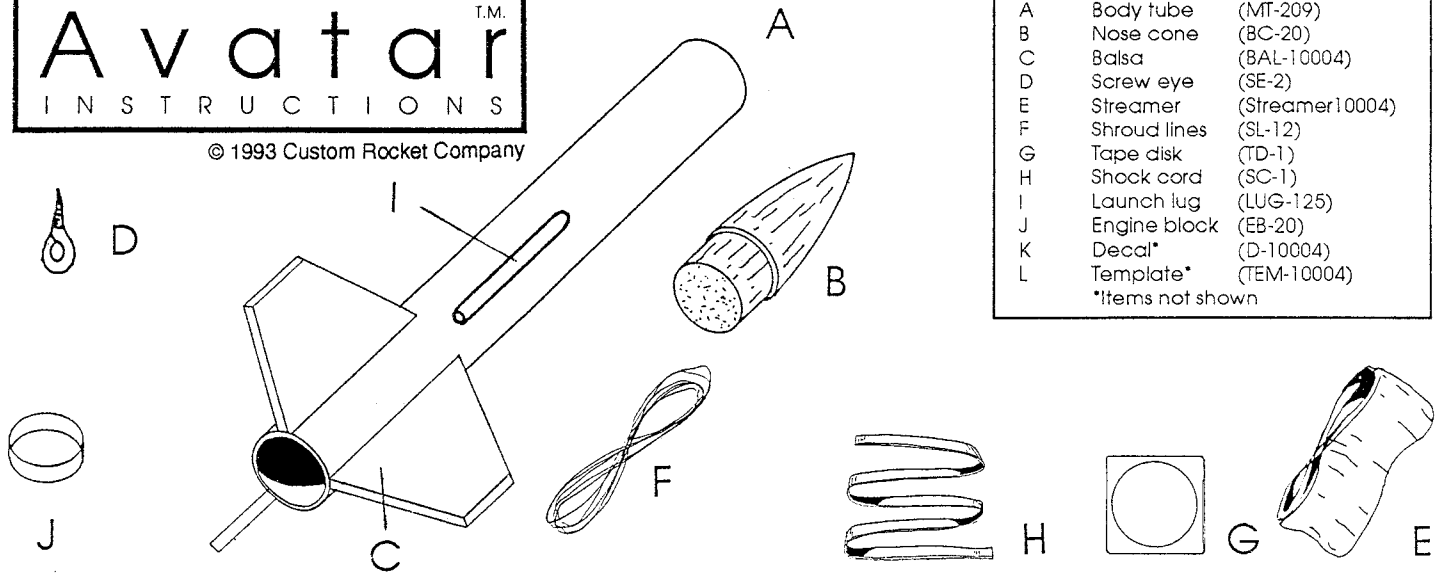
Avatar ^{T.M.}

INSTRUCTIONS

© 1993 Custom Rocket Company

A	Body tube	(MT-209)
B	Nose cone	(BC-20)
C	Balsa	(BAL-10004)
D	Screw eye	(SE-2)
E	Streamer	(Streamer10004)
F	Shroud lines	(SL-12)
G	Tape disk	(TD-1)
H	Shock cord	(SC-1)
I	Launch lug	(LUG-125)
J	Engine block	(EB-20)
K	Decal*	(D-10004)
L	Template*	(TEM-10004)

*Items not shown



1

Apply glue with a Q-tip to the inside of the body tube 2 1/2" from the end. Use a used engine (not included) to push the engine block so it meets the glue. Push the engine block until 1/4" of the engine is still showing, and then quickly pull the engine out.

2

Cut and sand the balsa with fine sandpaper.

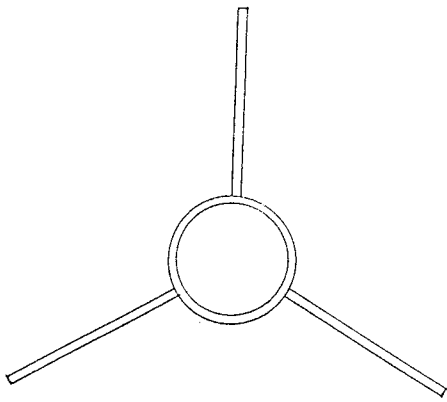
3

Cut out the fin placement template and wrap it around the tube. Use a pencil and mark the fin and launch lug locations.

4

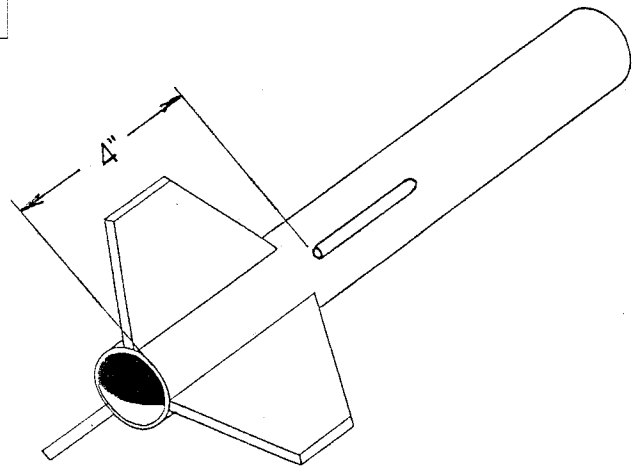
Glue on the fins with one at a time with white glue. Wait for each fin to dry before applying the next fin.

5



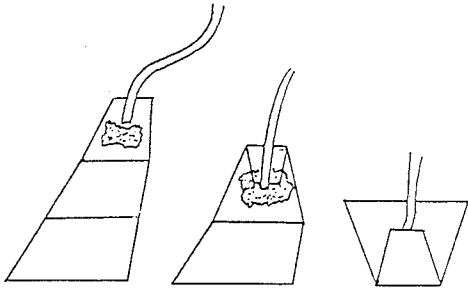
This is how the end view should look.

6



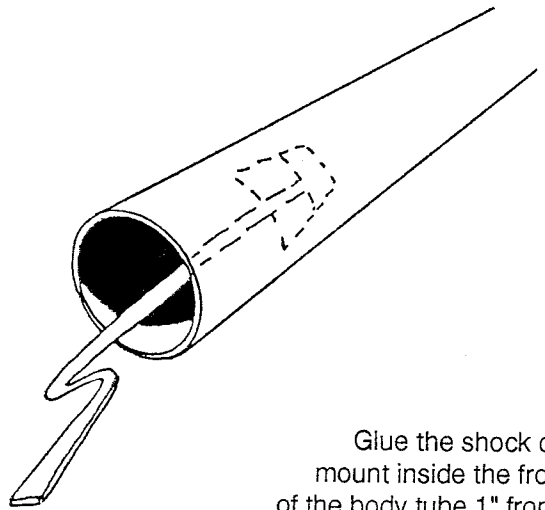
Glue the launch lug 4" from the end

7



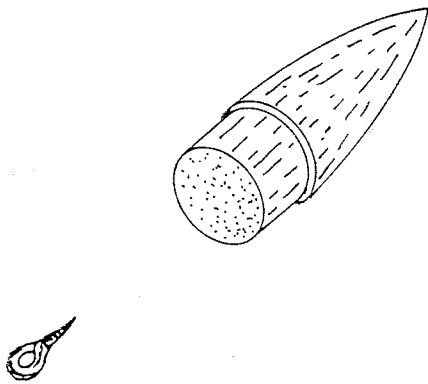
- A. Cut out the shock cord mount & apply glue to section 1. Lay the end of the shock cord into the glue.
- B. Fold section 1 at fold line and squeeze with your fingers.
- C. Apply glue to the back of section 1 and fold to section 3. Put complete assembly under a heavy object.

8



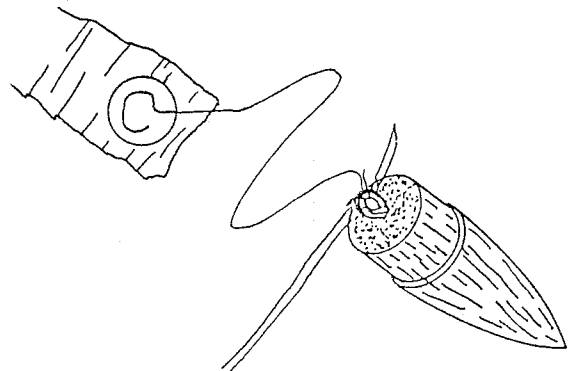
Glue the shock cord mount inside the front of the body tube 1" from the end. Hold the mount until it dries.

9

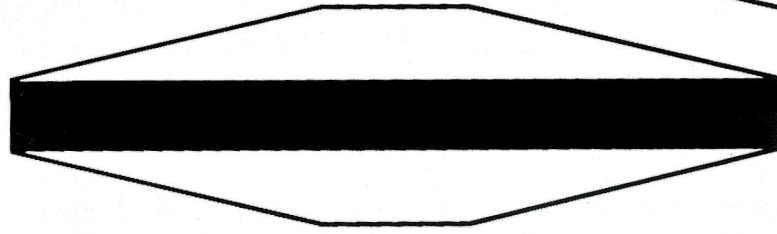
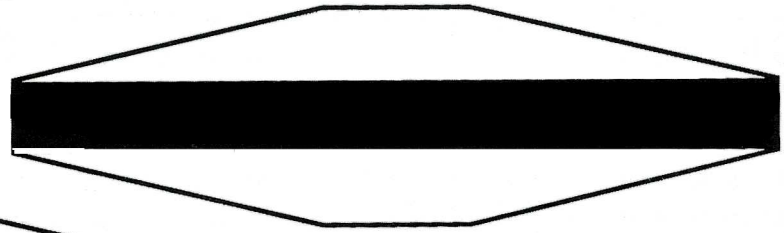
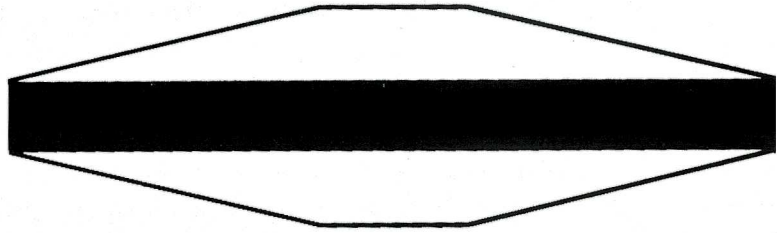


Insert the screw eye into the nose cone.

10



Tie the end of the shock cord to the screw eye. Tape the end of the shroud line to the streamer and tie the other end of the shroud line to the screw eye.



Avatar