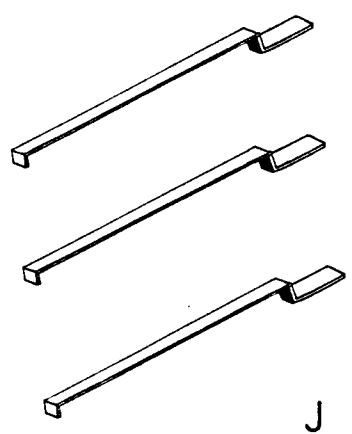
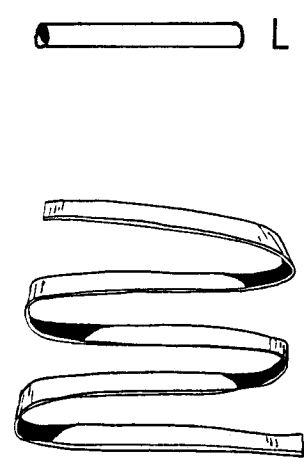
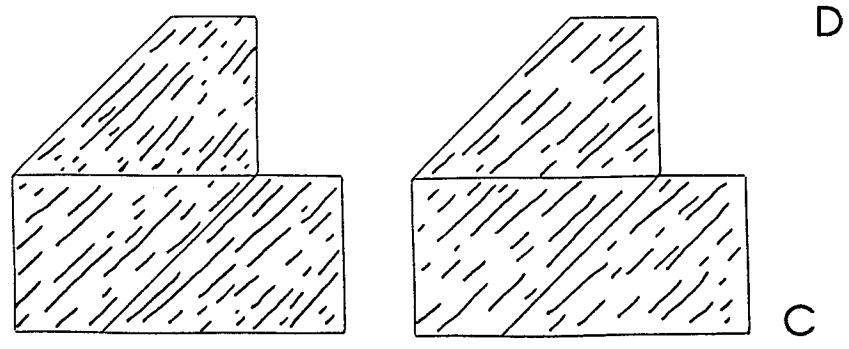
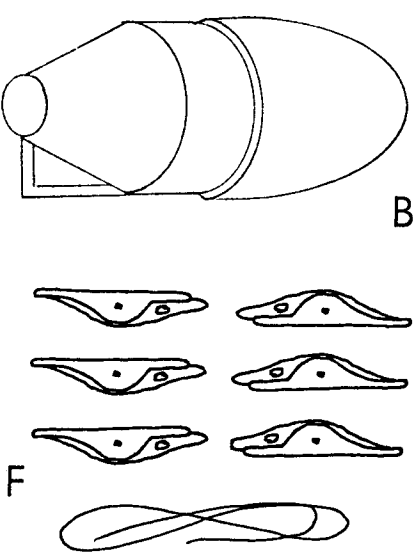
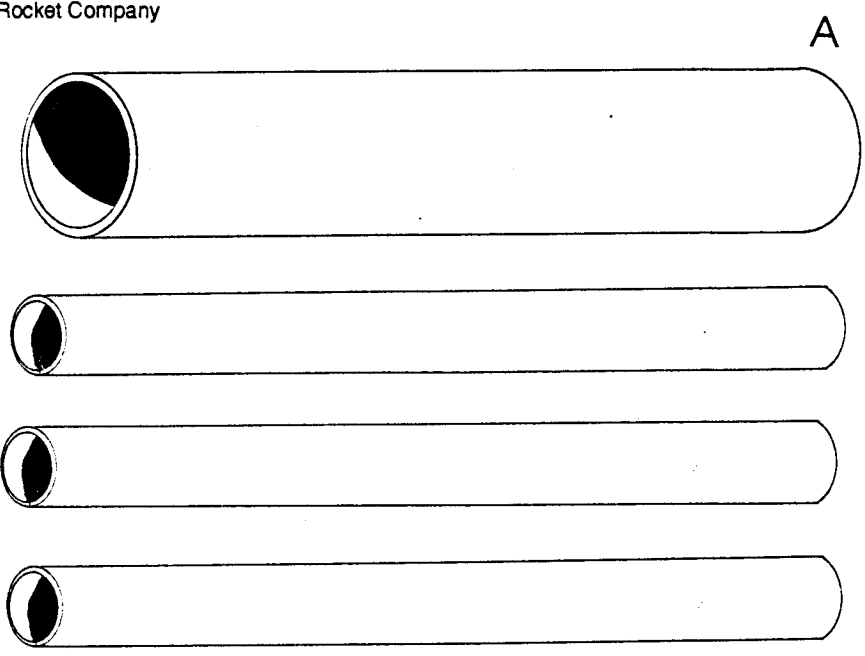
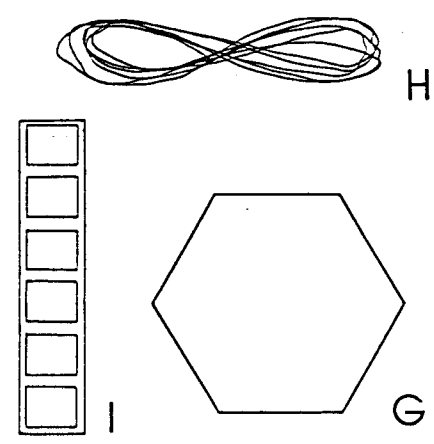
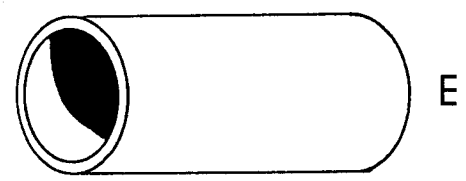


Landviper ^{T.M.}

INSTRUCTIONS

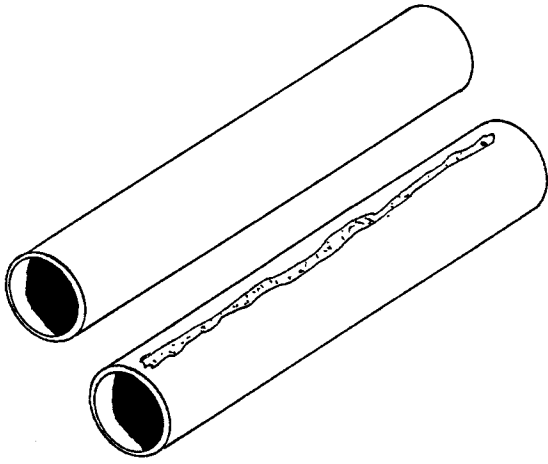
© 1993 Custom Rocket Company



A	Body tube	(MT-6018)
B	Nose cone	(PC-60SHORT)
C	Balsa	(BAL10001)
D	Engine tube (3)	(MT-20)
E	End coupler	(MT-603)
F	Micro clip pak	(CLIP10001)
G	Parachute	(PK-18)
H	Shroud lines	(SL-96)
I	Tape disk	(TD-6)
J	Engine clip (3)	(EC-2)
K	Shock cord	(SC-1)
L	Launch lug	(LUG-188)
M	Decal*	(D-10001)
N	Template*	(TEM10001)

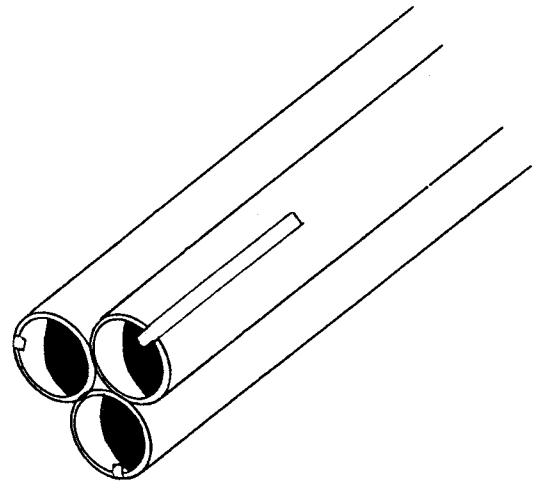
*Items not shown

1



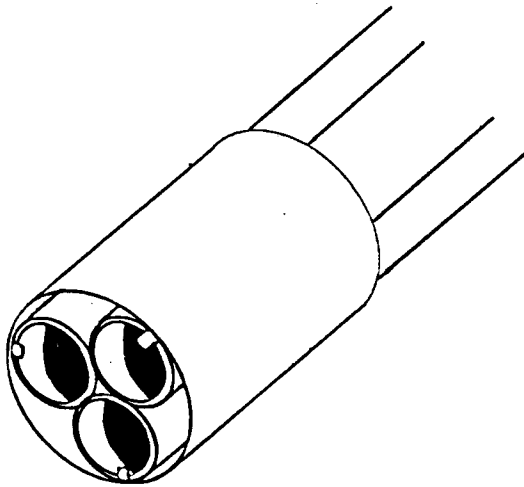
Apply white glue the length of the skinny, long tubes and join all three tubes together.

2



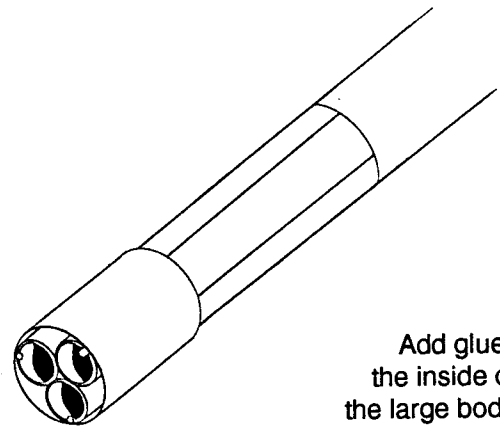
Cut a 1/8 inch slit 2 1/2 inches from the bottom of the tubes. Do this for all three tubes. Insert the engine clip.

3



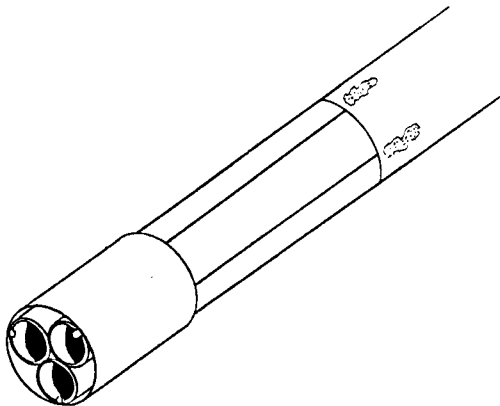
Apply white glue to the inside of the end coupler and slide it onto the motor tubes, so that all the tube ends are flush.

4



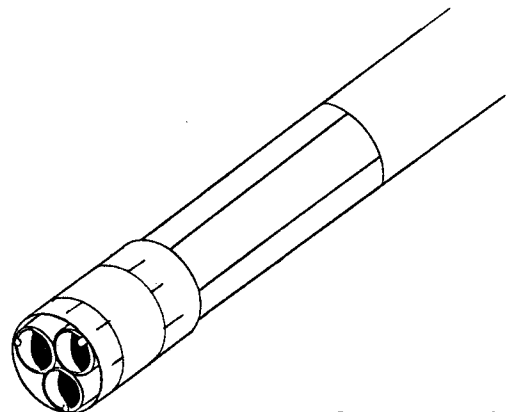
Add glue to the inside of the large body tube and insert the three motor tubes 5" into the main body tube. 13" of the three tubes should be remaining.

5



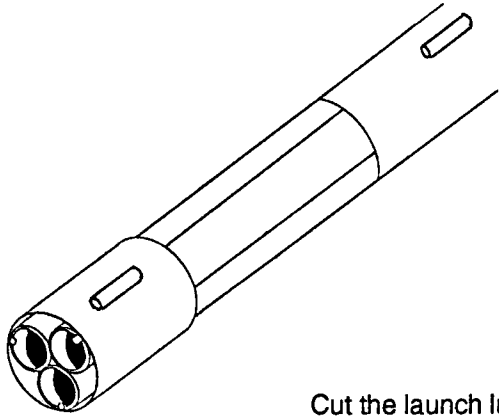
Crumble and add glue to tissue paper. Stuff the paper into the gaps between the motor tubes and the main body tube.

6



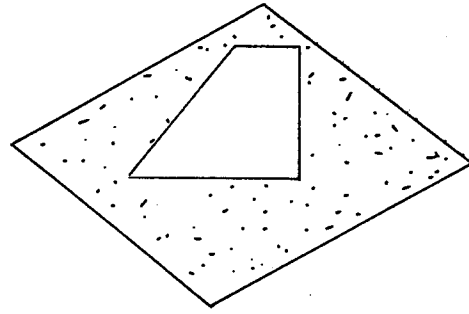
Cut out the fin placement template and wrap it around the tube. Use a pencil and mark the fin and launch lug locations.

7



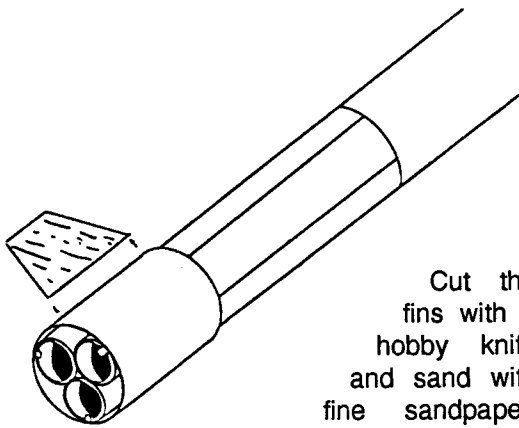
Cut the launch lug in half. Glue one portion of the lug on the end coupler and the other portion of the lug 2" from the end of the main tube.

8



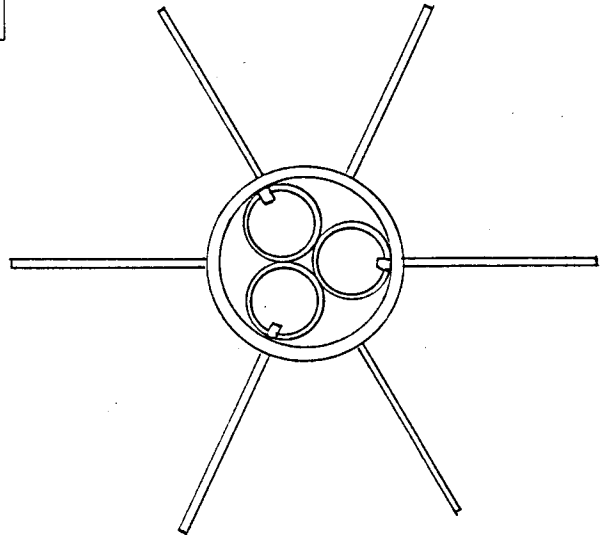
Cut and sand the balsa with fine sandpaper.

9



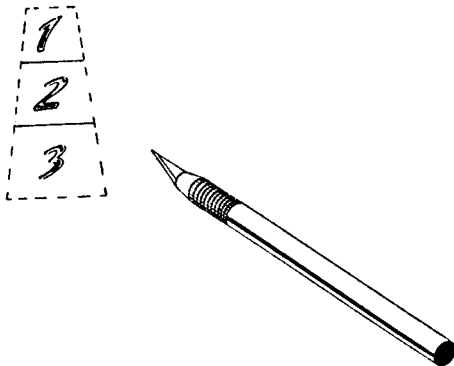
Cut the fins with a hobby knife and sand with fine sandpaper. Glue the fins on one at a time with white glue 1/2" from the end. Wait for each one to dry before applying the next fin.

10



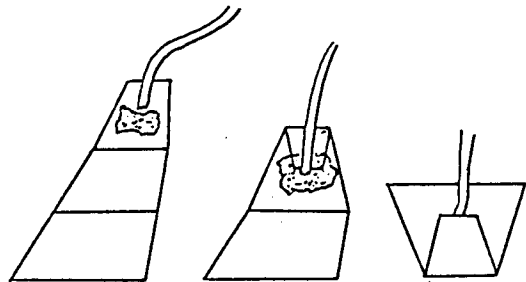
This is how the end view should look.

11



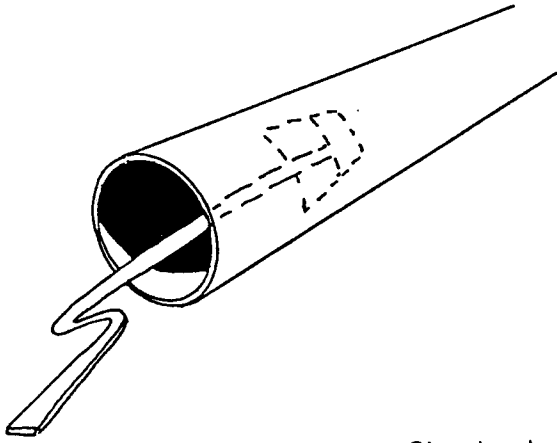
Cut out the shock cord mount.

12



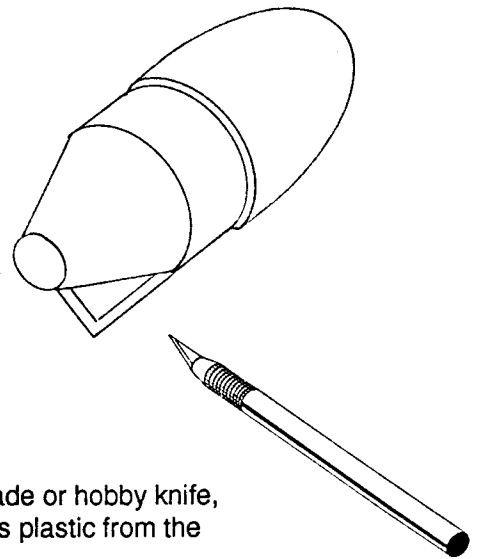
A. Cut out the shock cord mount and apply glue to section 1. Lay the end of the shock cord into the glue.
B. Fold section 1 at the fold line and squeeze with your fingers.
C. Apply glue to the back of section 1 and fold to section 3. Put complete assembly under a heavy weight.

13



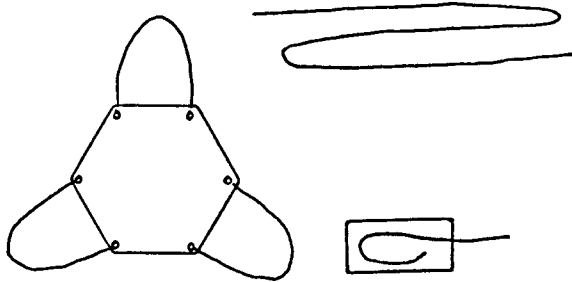
Glue the shock cord mount inside the front of the body tube 1" from the end. Hold the mount until it dries.

14



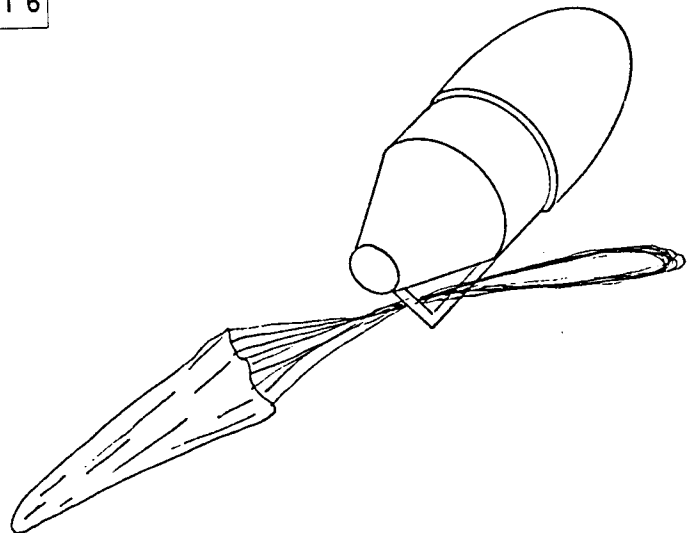
With a razor blade or hobby knife, clear the excess plastic from the screw eye.

15



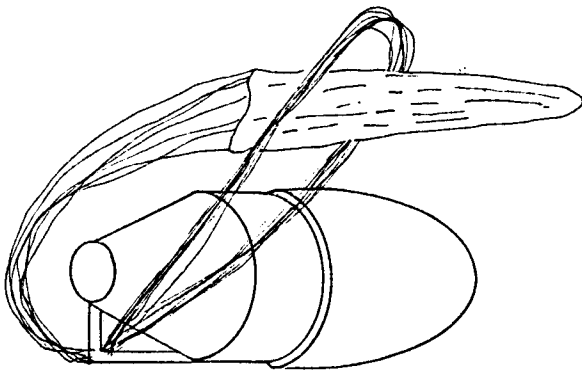
A Cut the shroud line into three equal parts.
 B Attach the end of the shrouds to the tape disks.
 C Tape the disks to the parachute as shown.

16



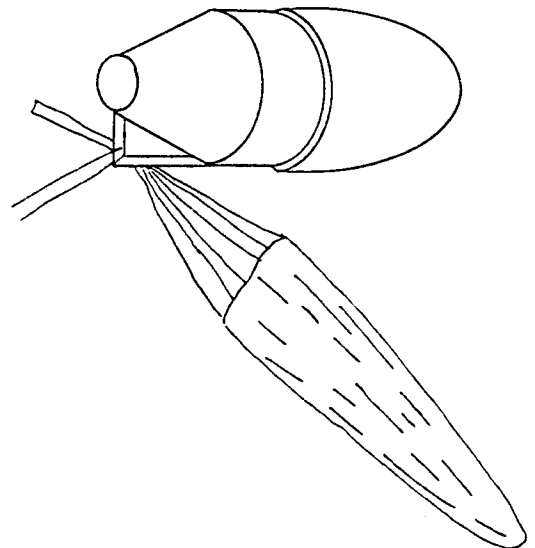
Thread the shroud line loops through the screw eye.

17



Take the loop ends and pass the parachute through. Pull the parachute tight.

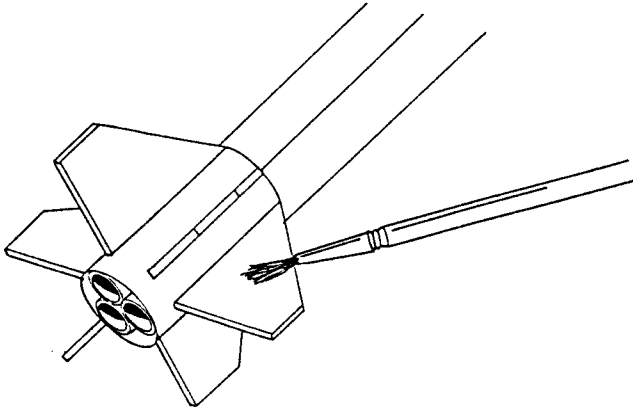
18



Tie the end of the shock cord to the screw eye.

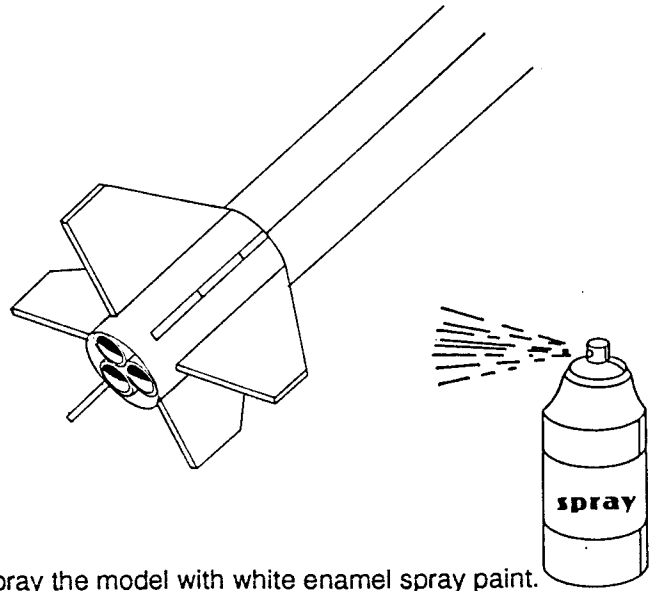
A

Finishing Instructions



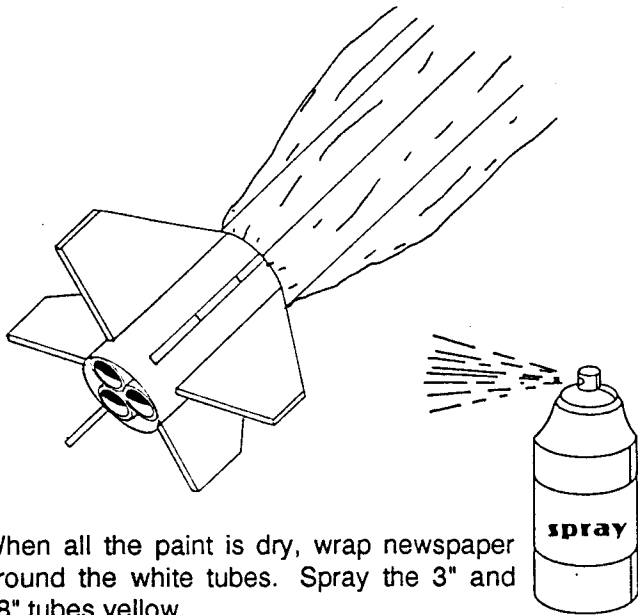
Apply sanding sealer to all six fins. When sealer is dry, sand with fine sandpaper. Repeat until all the grain is filled.

B



Spray the model with white enamel spray paint.

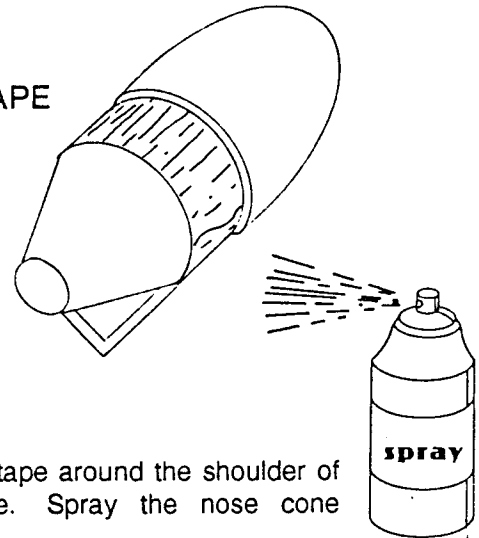
C



When all the paint is dry, wrap newspaper around the white tubes. Spray the 3" and 18" tubes yellow.

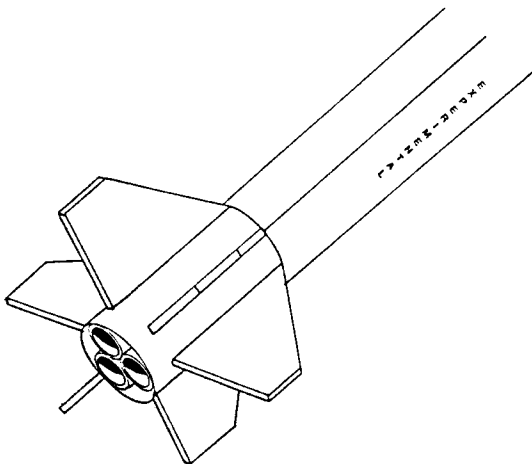
D

MASKING TAPE



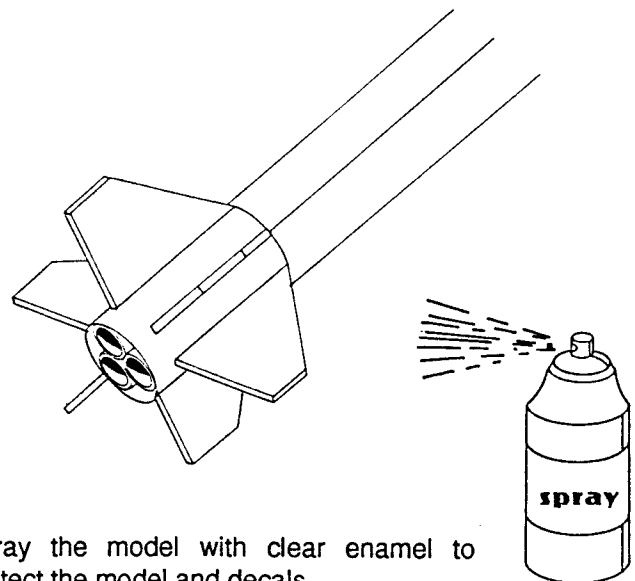
Wrap masking tape around the shoulder of the nose cone. Spray the nose cone semi-flat black.

E



Apply the decals by dipping them in water for 30 seconds and sliding them onto the model.

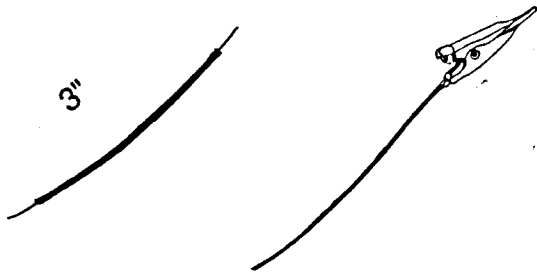
F



Spray the model with clear enamel to protect the model and decals.

A

Clustering Instructions

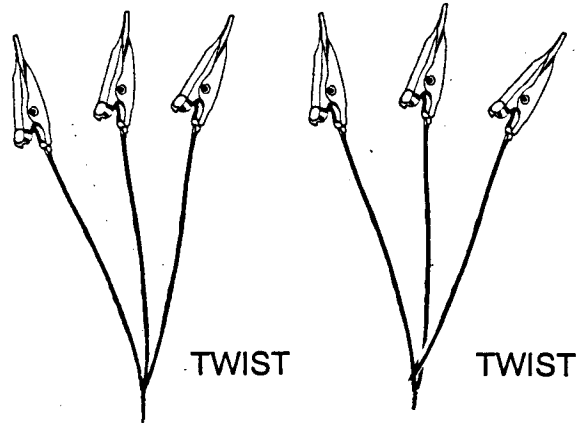


Cut the wire into six 3" lengths. Remove 1/4" of the protective rubber on both ends of all six wires. Attach the micro clips to each wire.

B

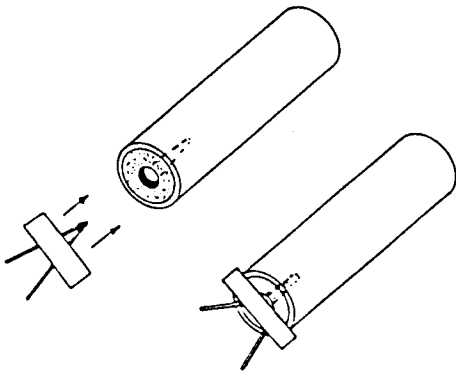
POSITIVE BUNCH

NEGATIVE BUNCH



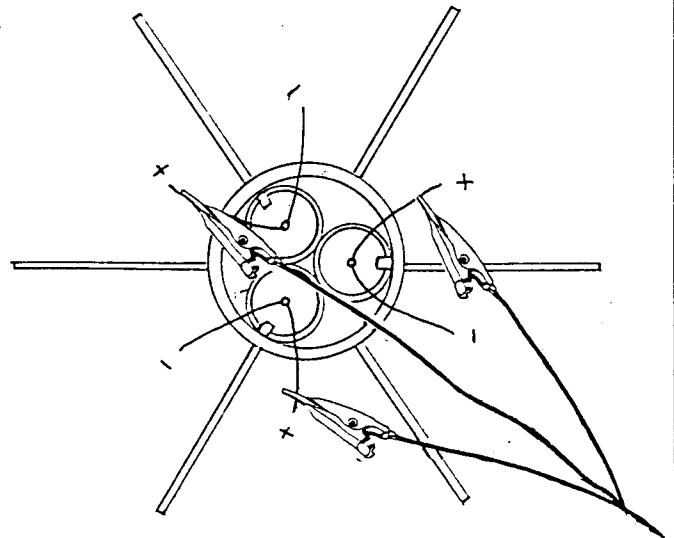
Separate the wires into two batches, positive and negative. Twist the ends to keep them together.

C



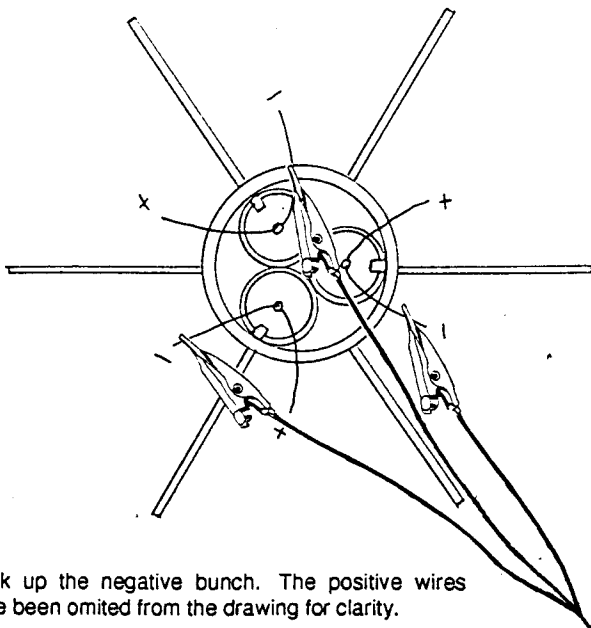
Select 3 B4-2 or C6-5 model rocket engines. Do not mix engine types. They must all be, three B4-2 or three C6-5 engines. Insert the igniters and plug or tape in place.

D



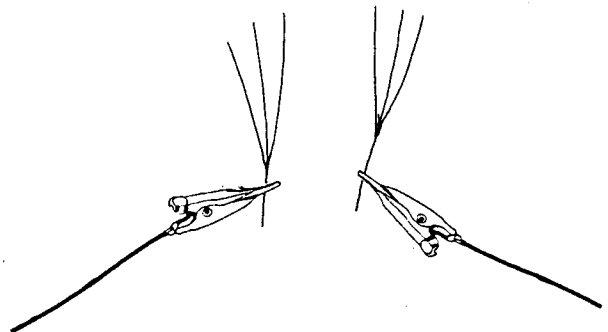
Hook up the positive bunch to the igniters.

E



Hook up the negative bunch. The positive wires have been omitted from the drawing for clarity.

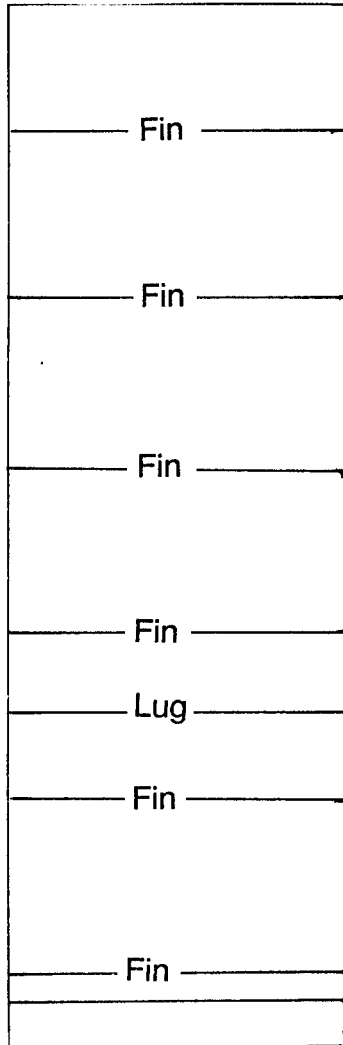
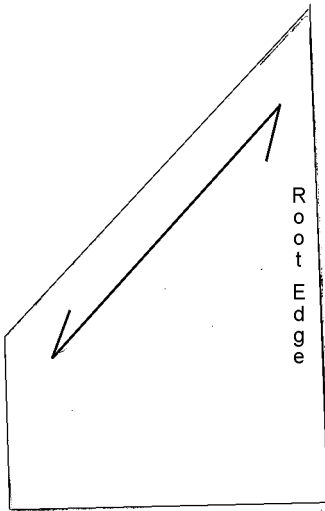
F



Attach the leads from your launch system to the positive and negative bunches. Make sure the micro clips are not touching each other or the engine clips.

Custom Rocketry Land Viper Fin Template

Make 6 from 1/8" hard balsa



BBBAAA CULG7

BBBAAA CULG7